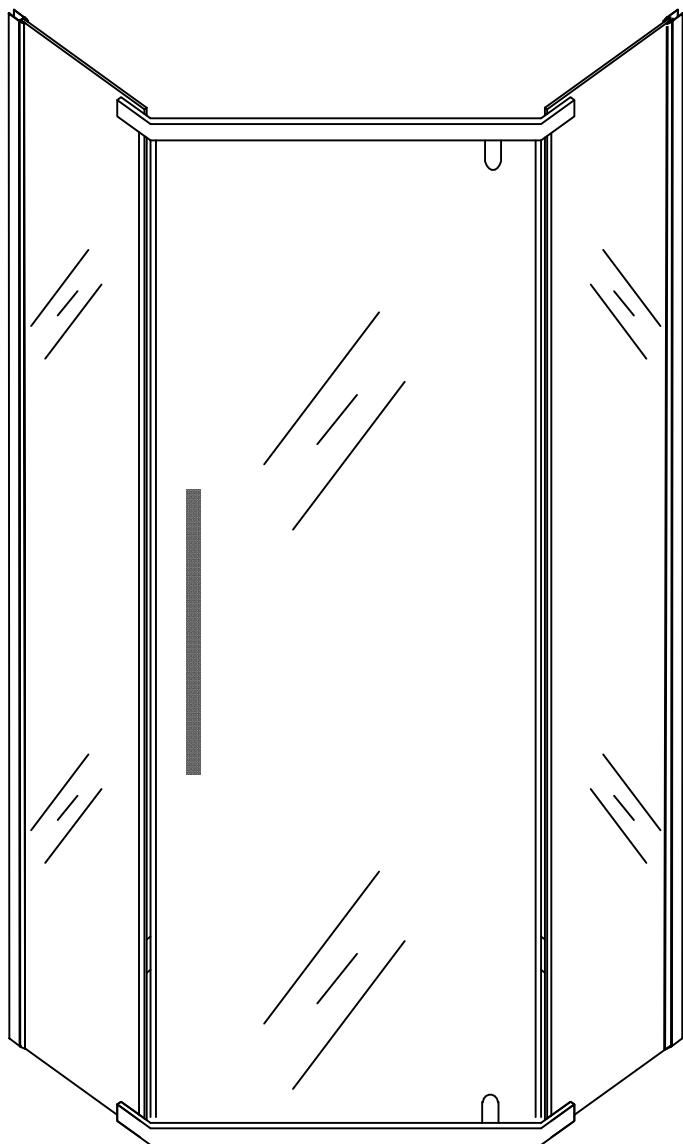
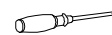


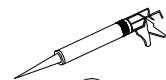
PB/PC-90-100



A



B



C



D



E



F



G

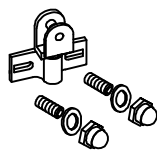


H

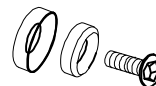
1/2



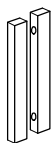
[1]x1



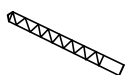
[2]x2



[3]x4



[4]x1



φ2.8

[5]x1



[6]x12



[7]x6



[8]x6

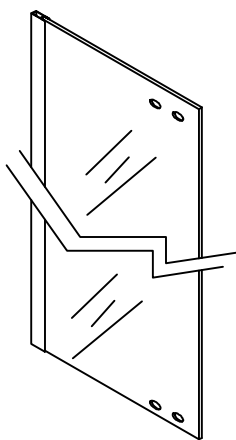


[9]x6



[10]x1

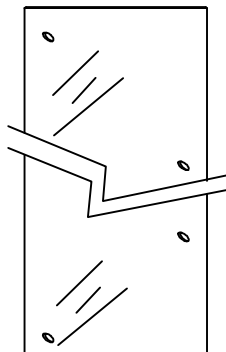
2/2



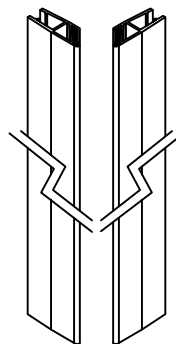
[12]x2



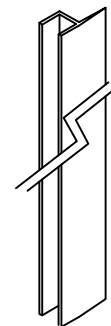
[13]x2



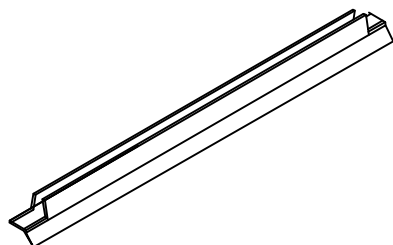
[14]x1



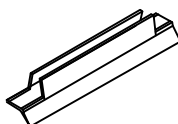
[15]x1



[16]x1

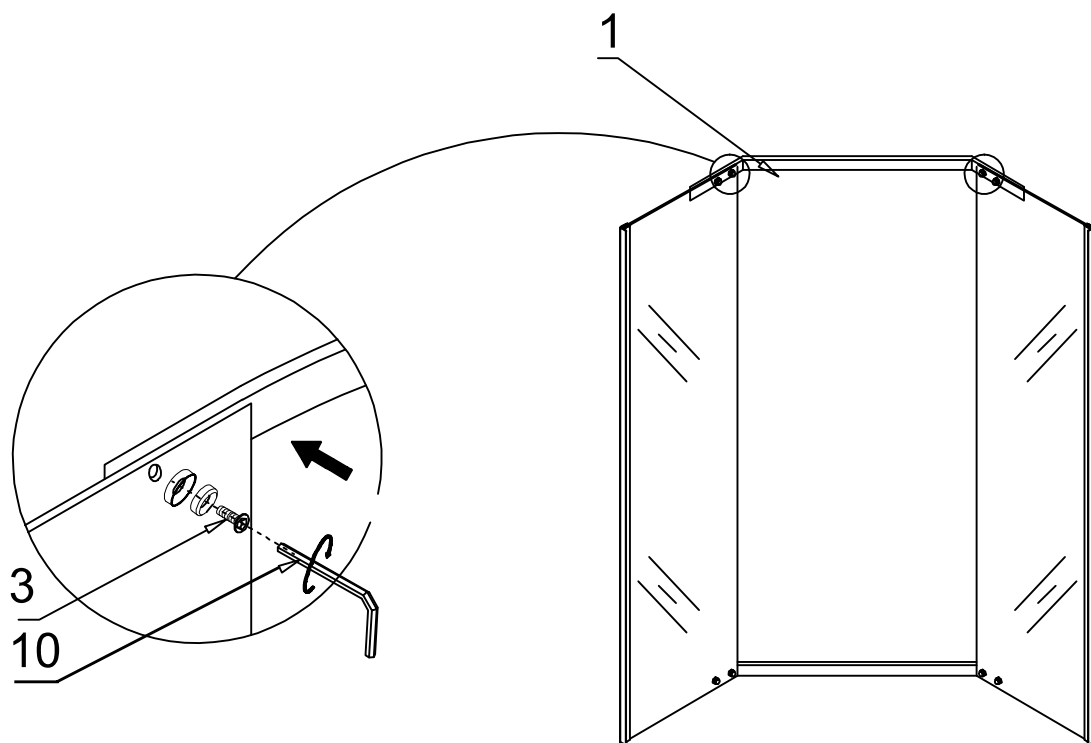


[17]x1

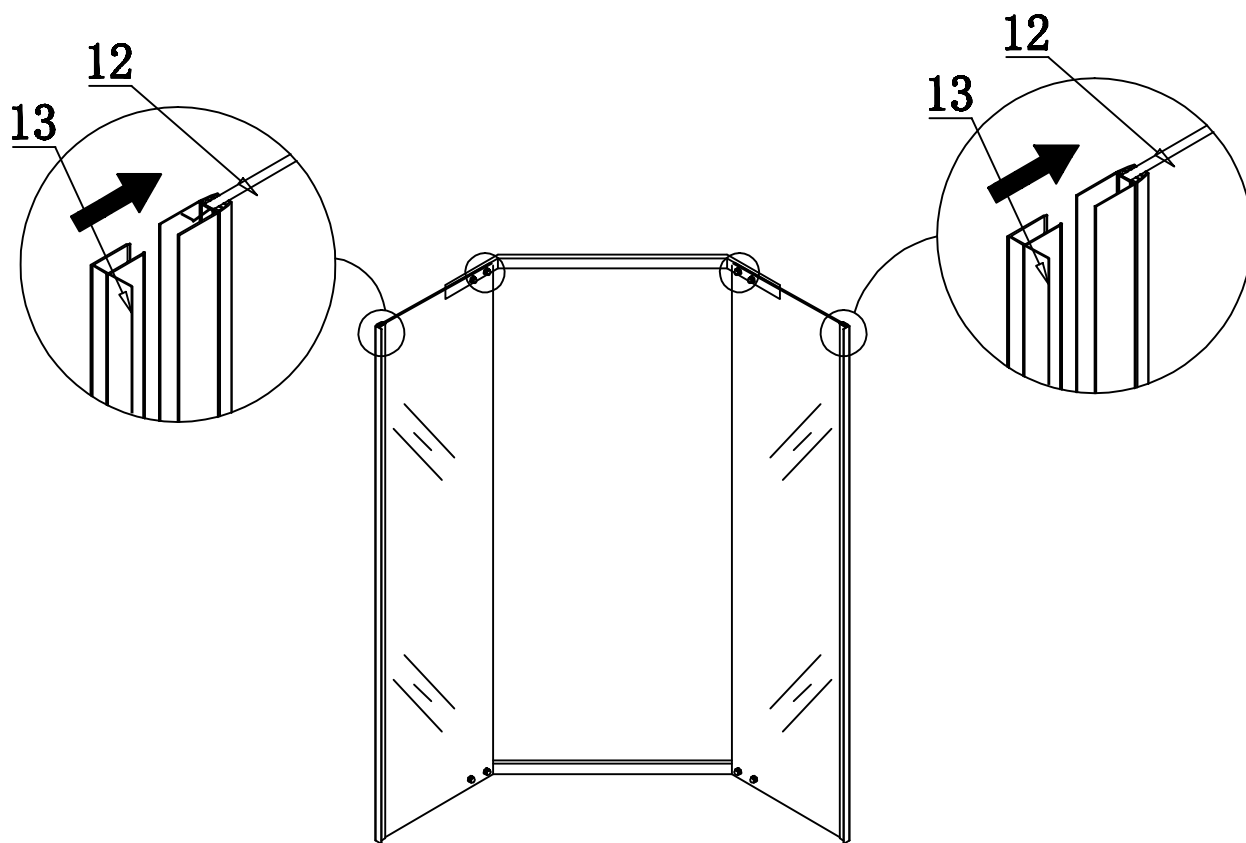


[18]x1

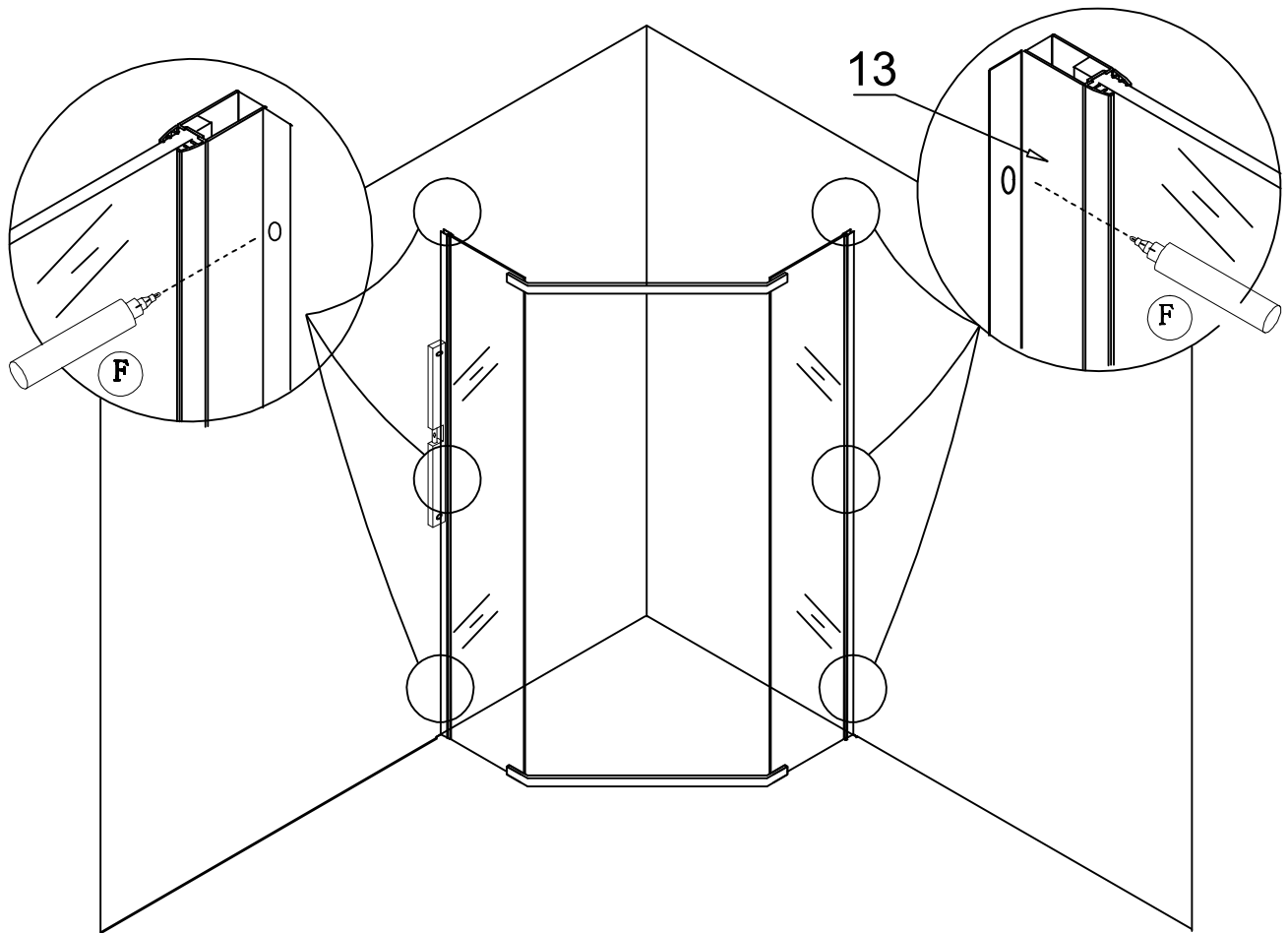
STEP1



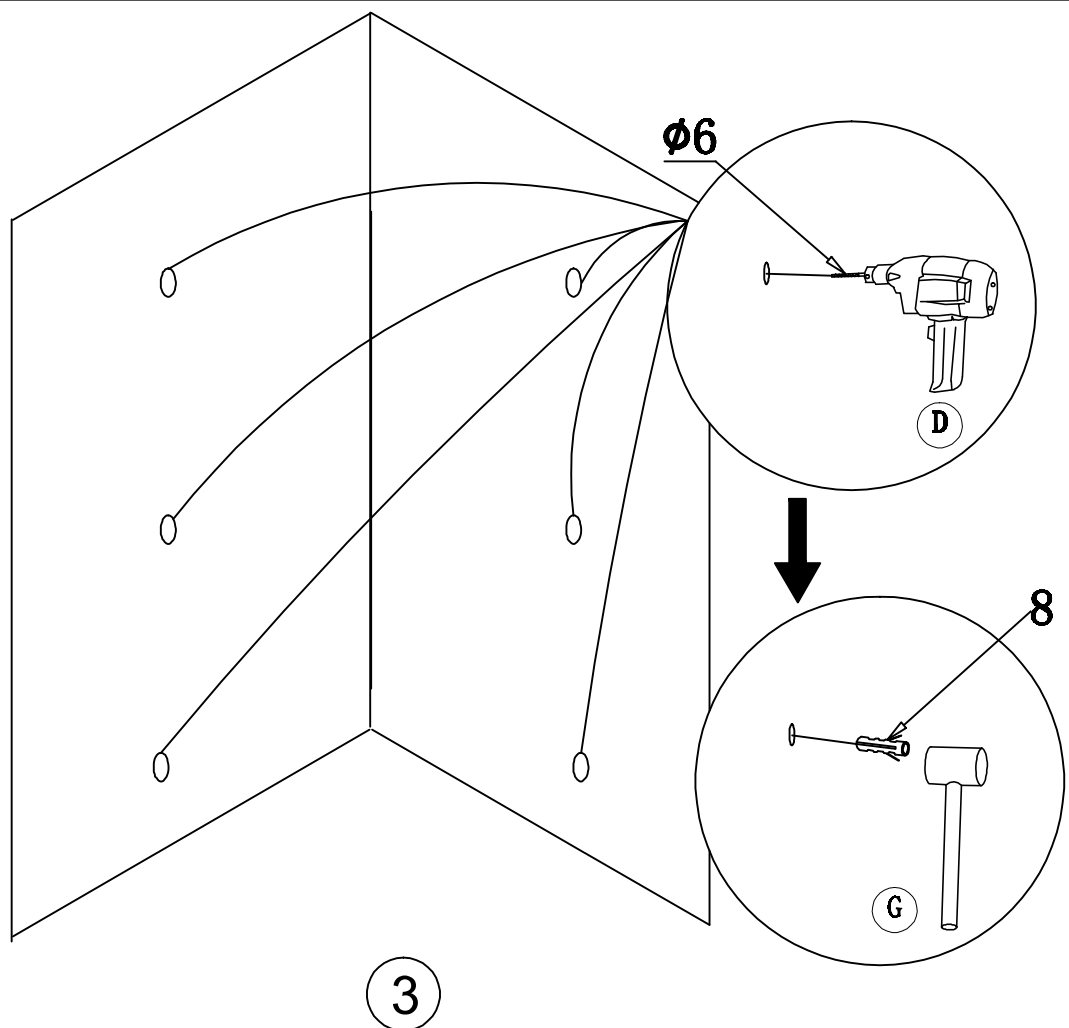
STEP2



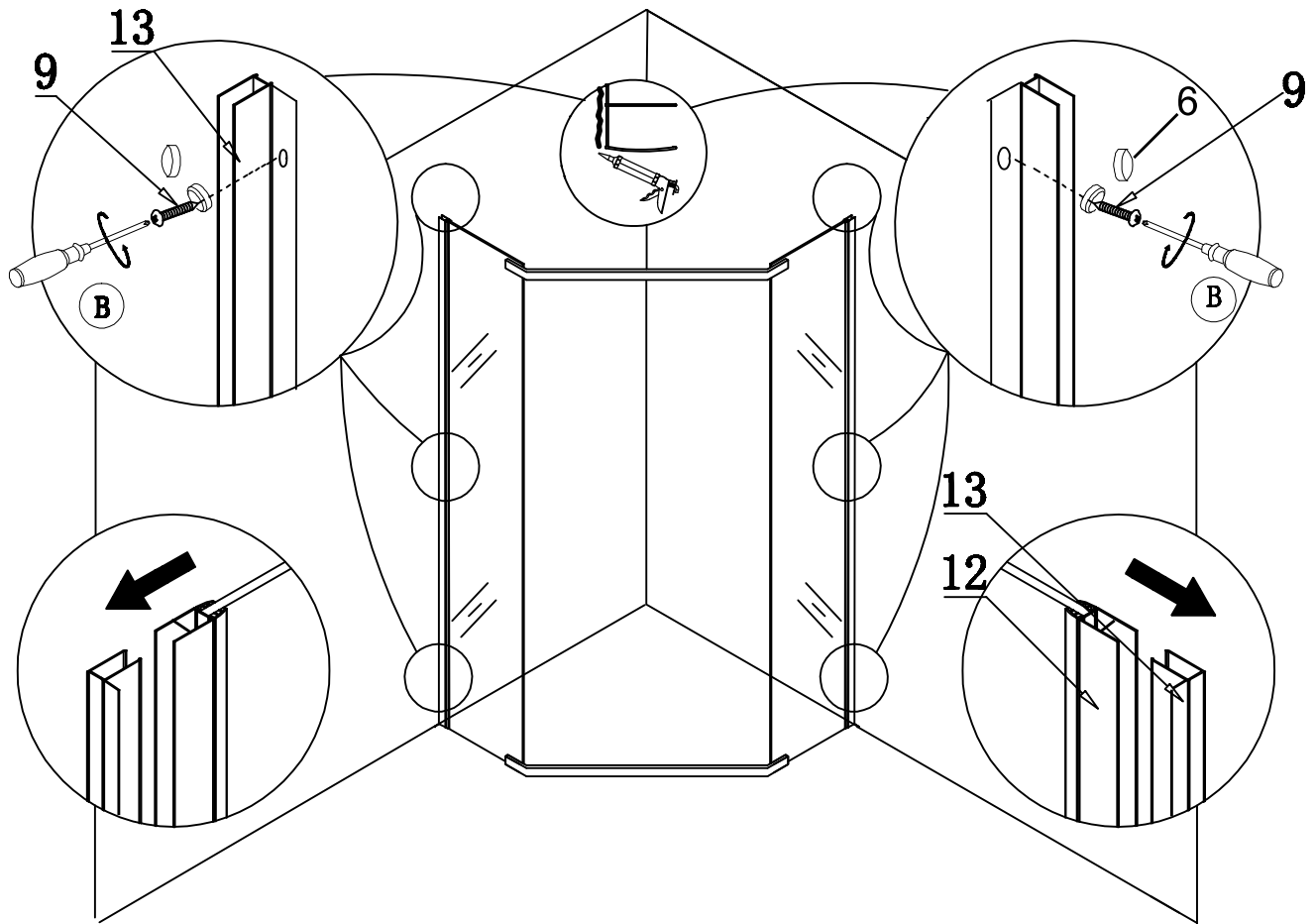
STEP3



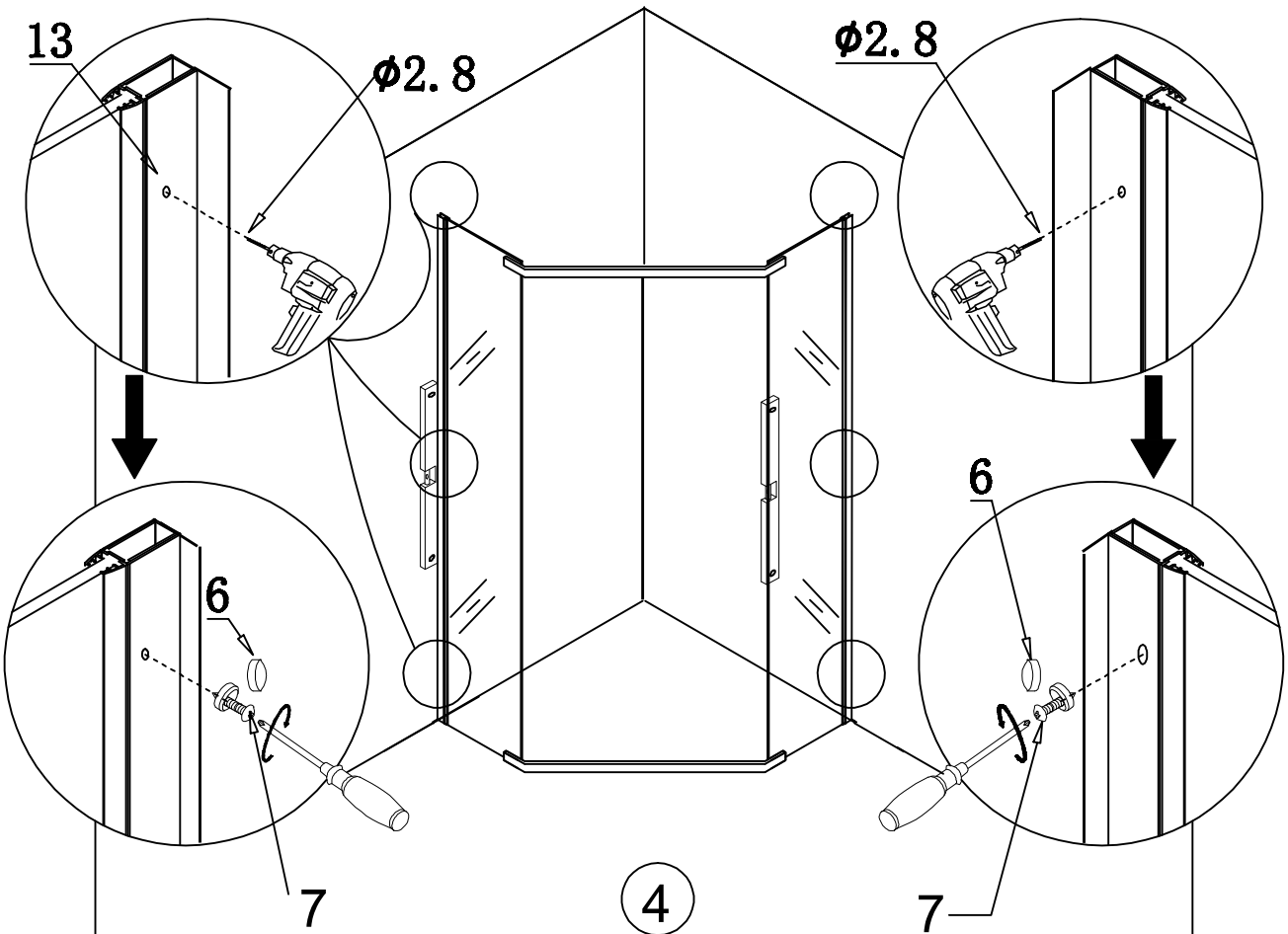
STEP4



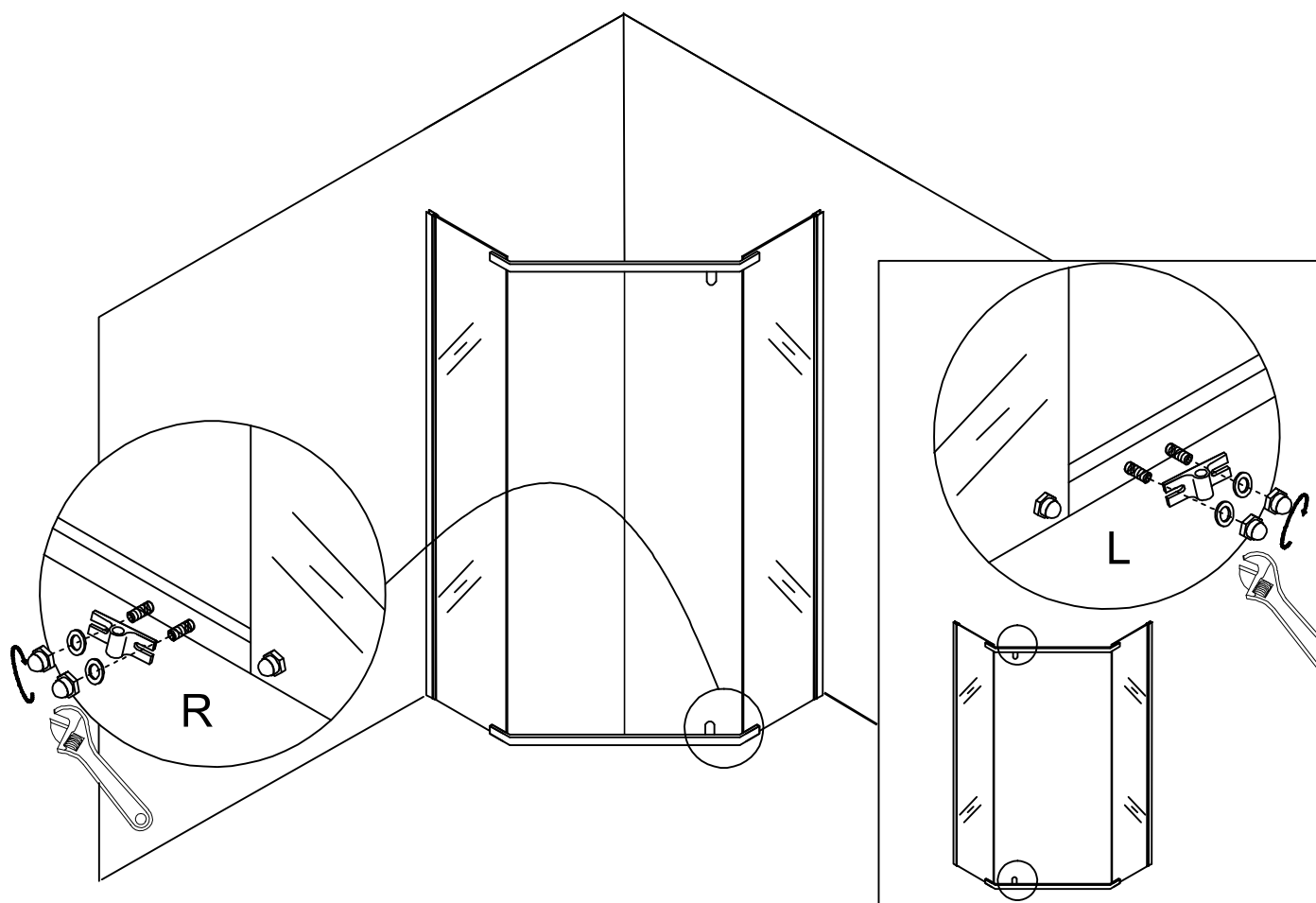
STEP5



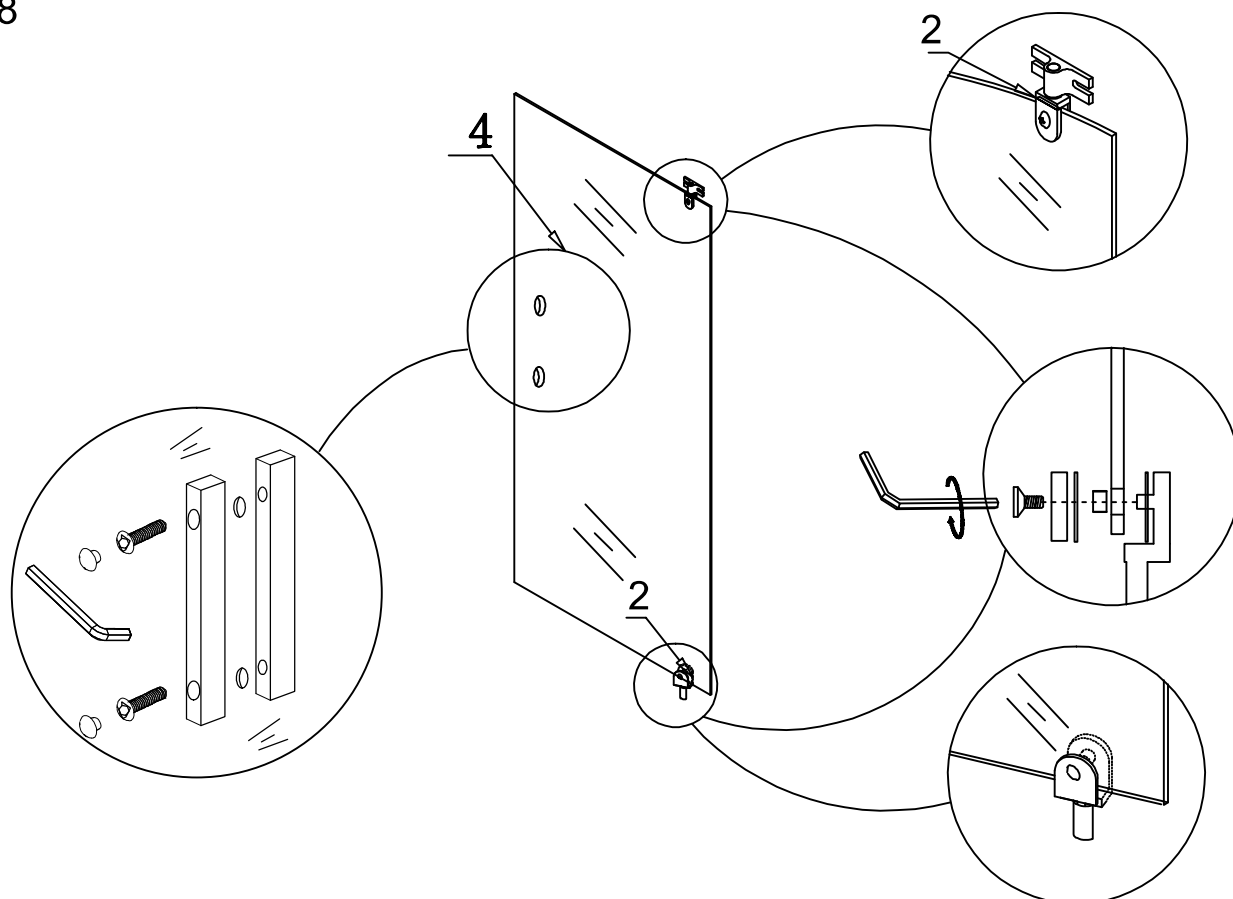
STEP6



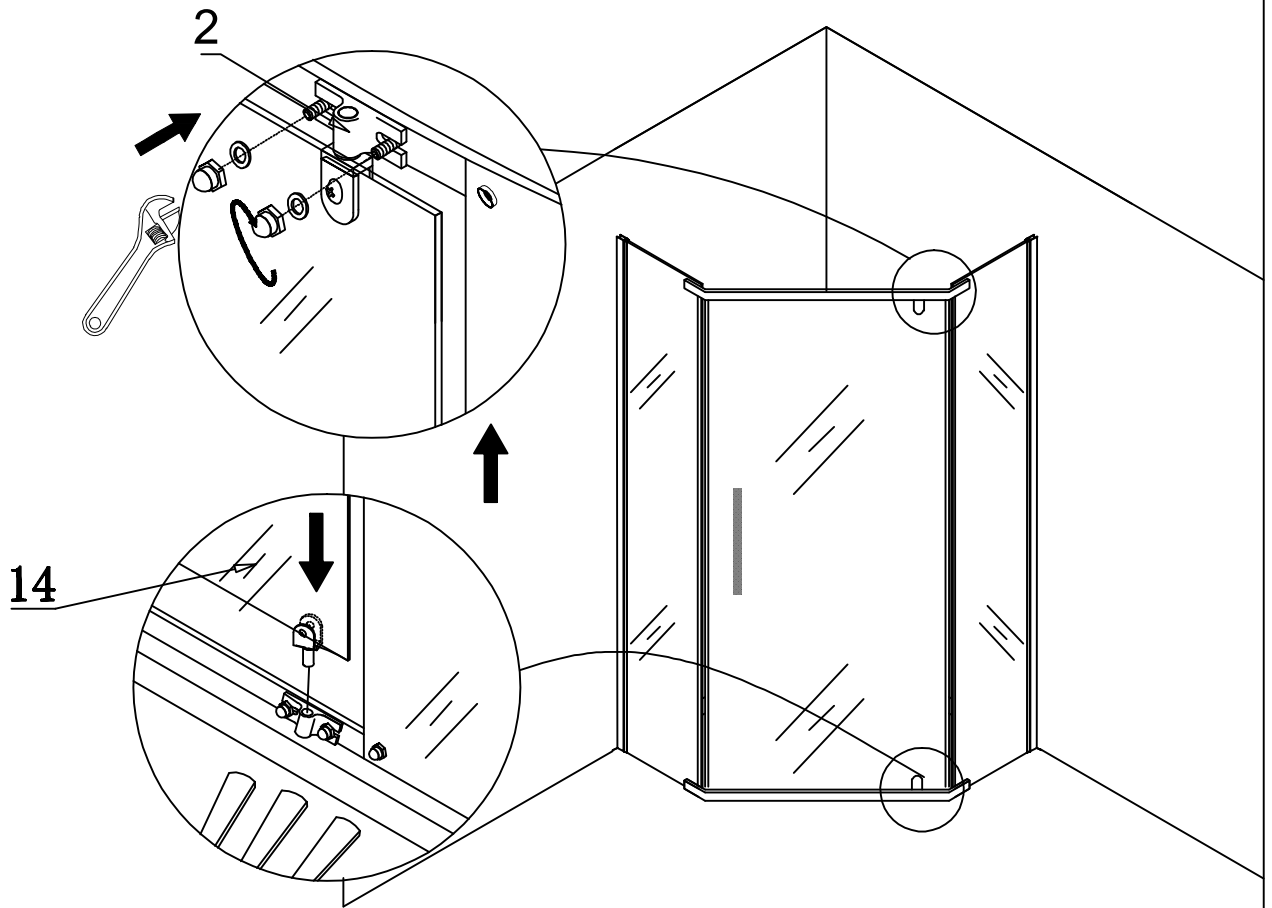
STEP7



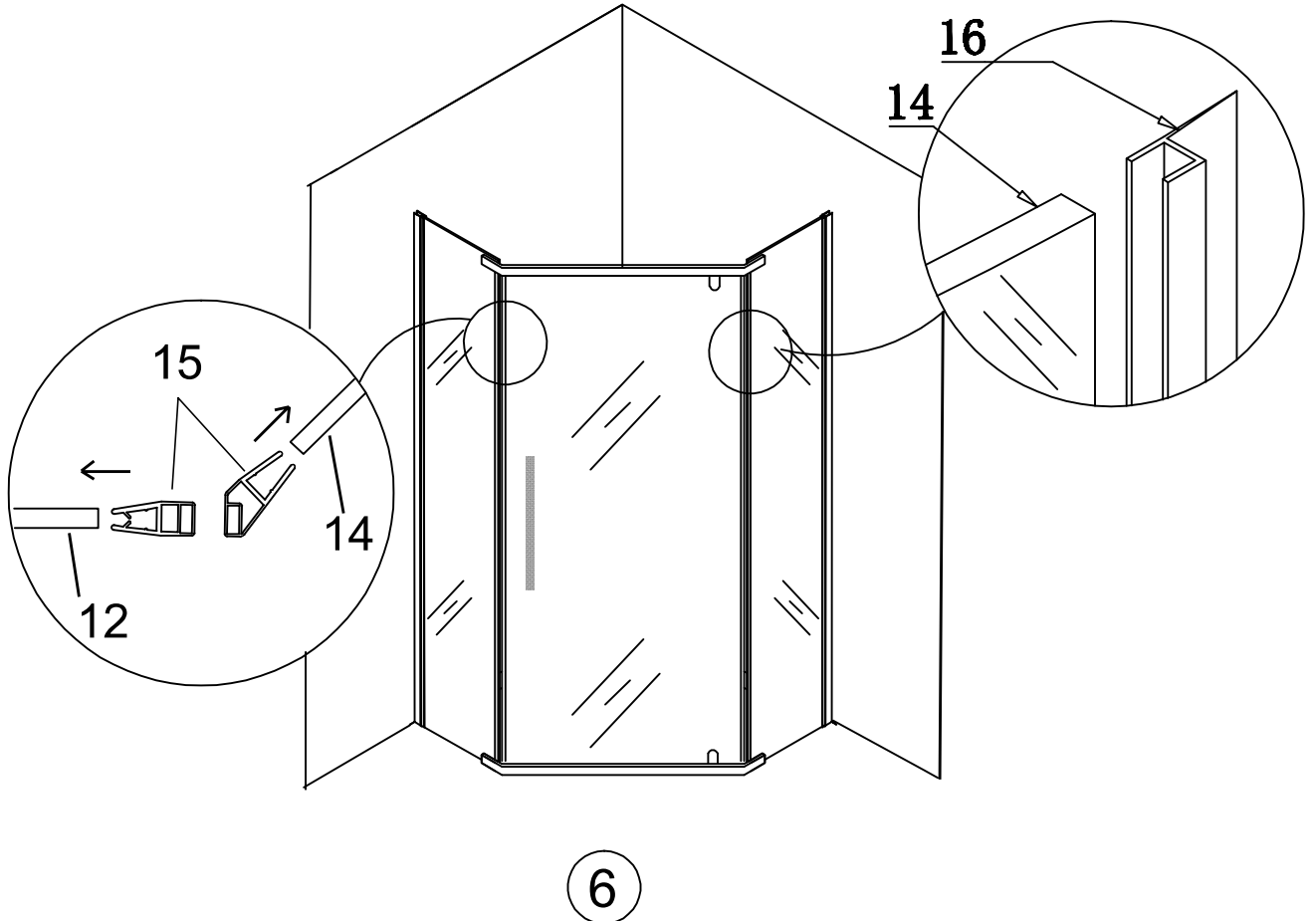
STEP8



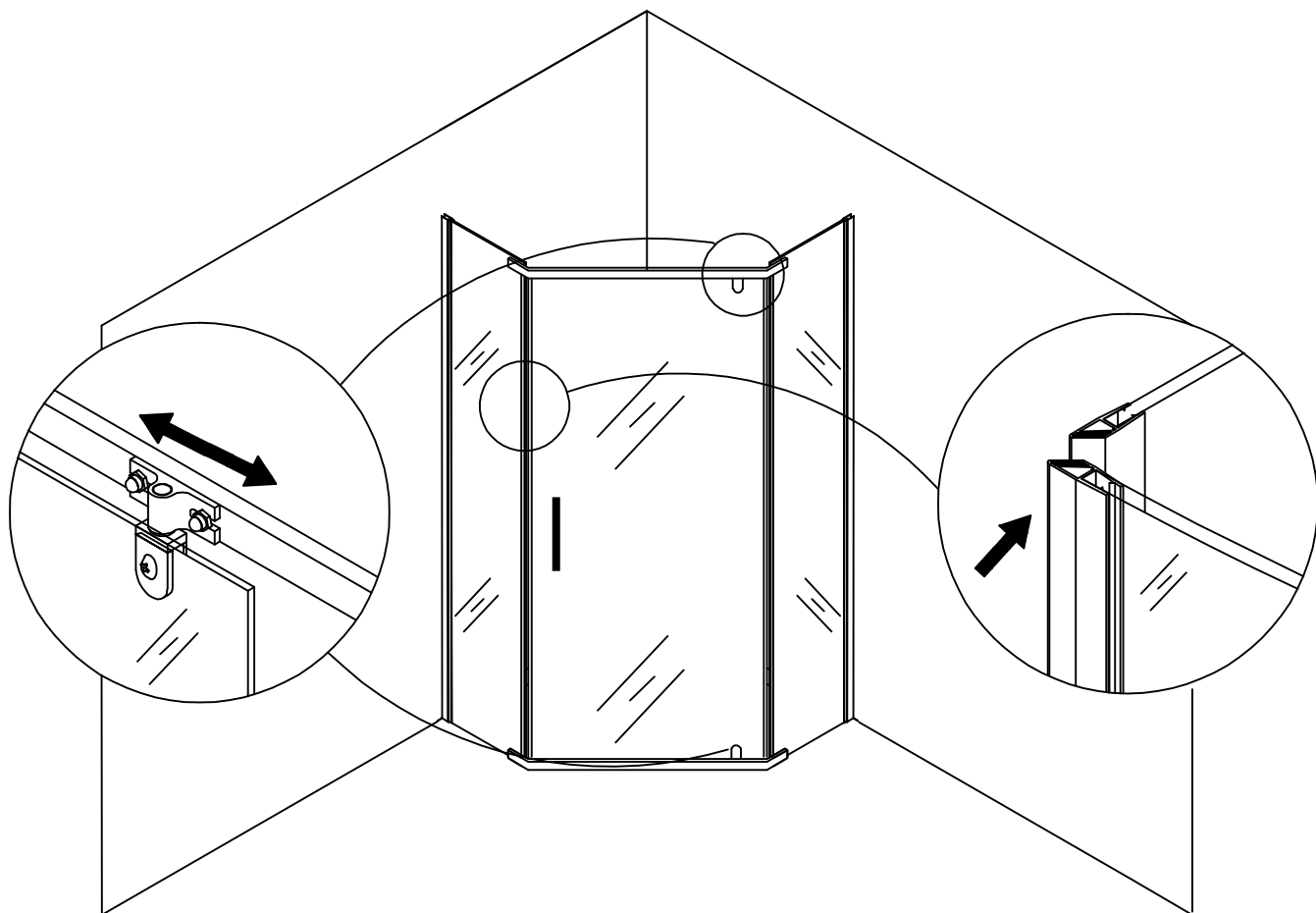
STEP9



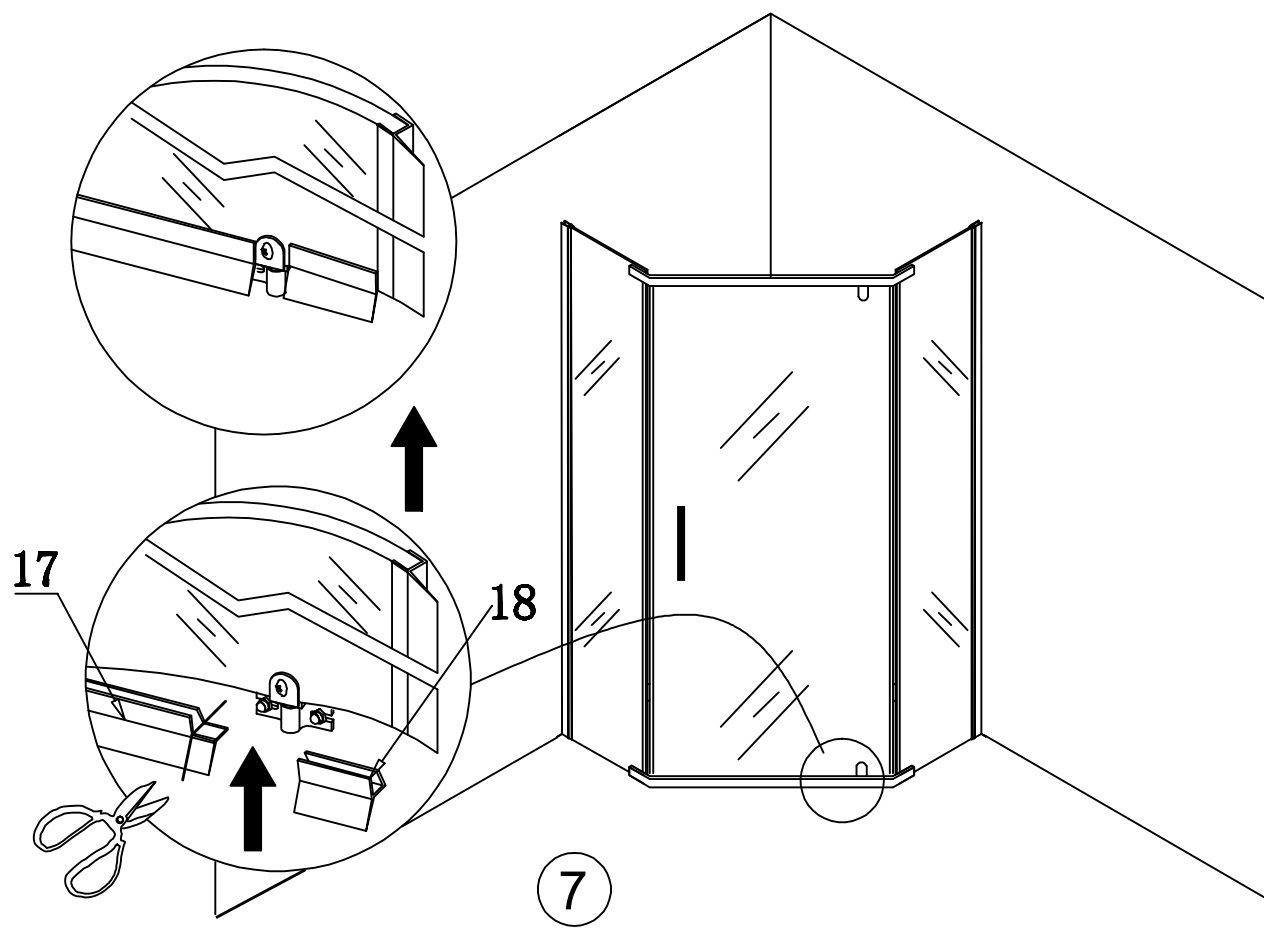
STEP10



STEP11



STEP12



STEP13

