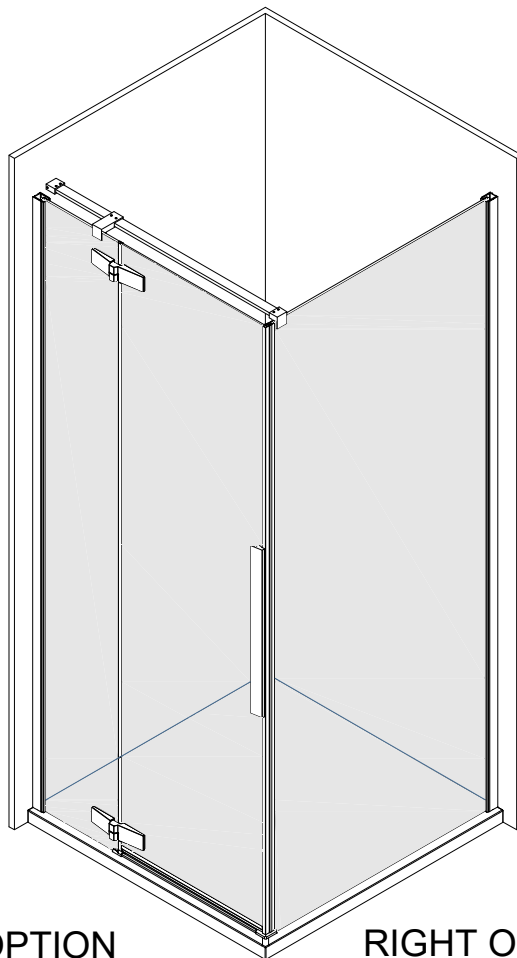
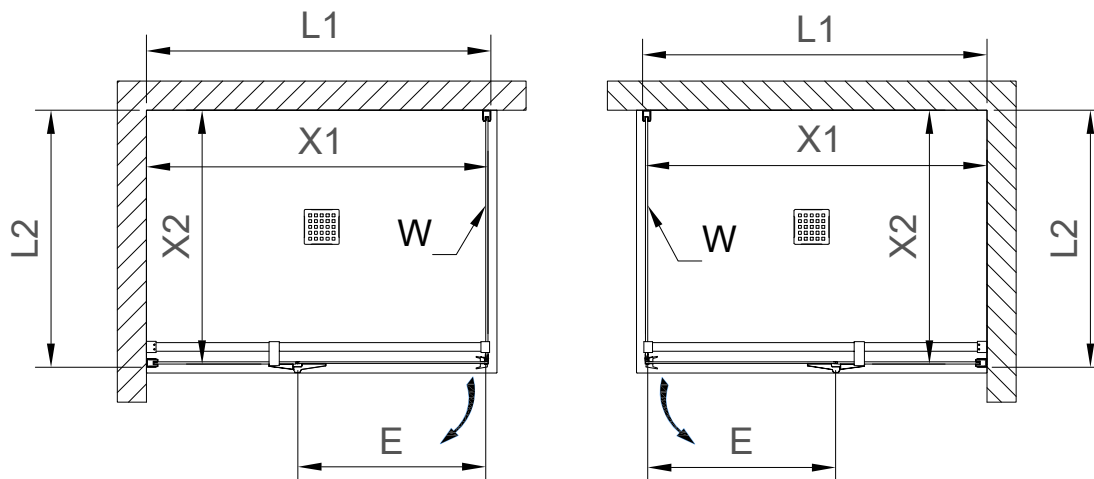


# Polaris D + W

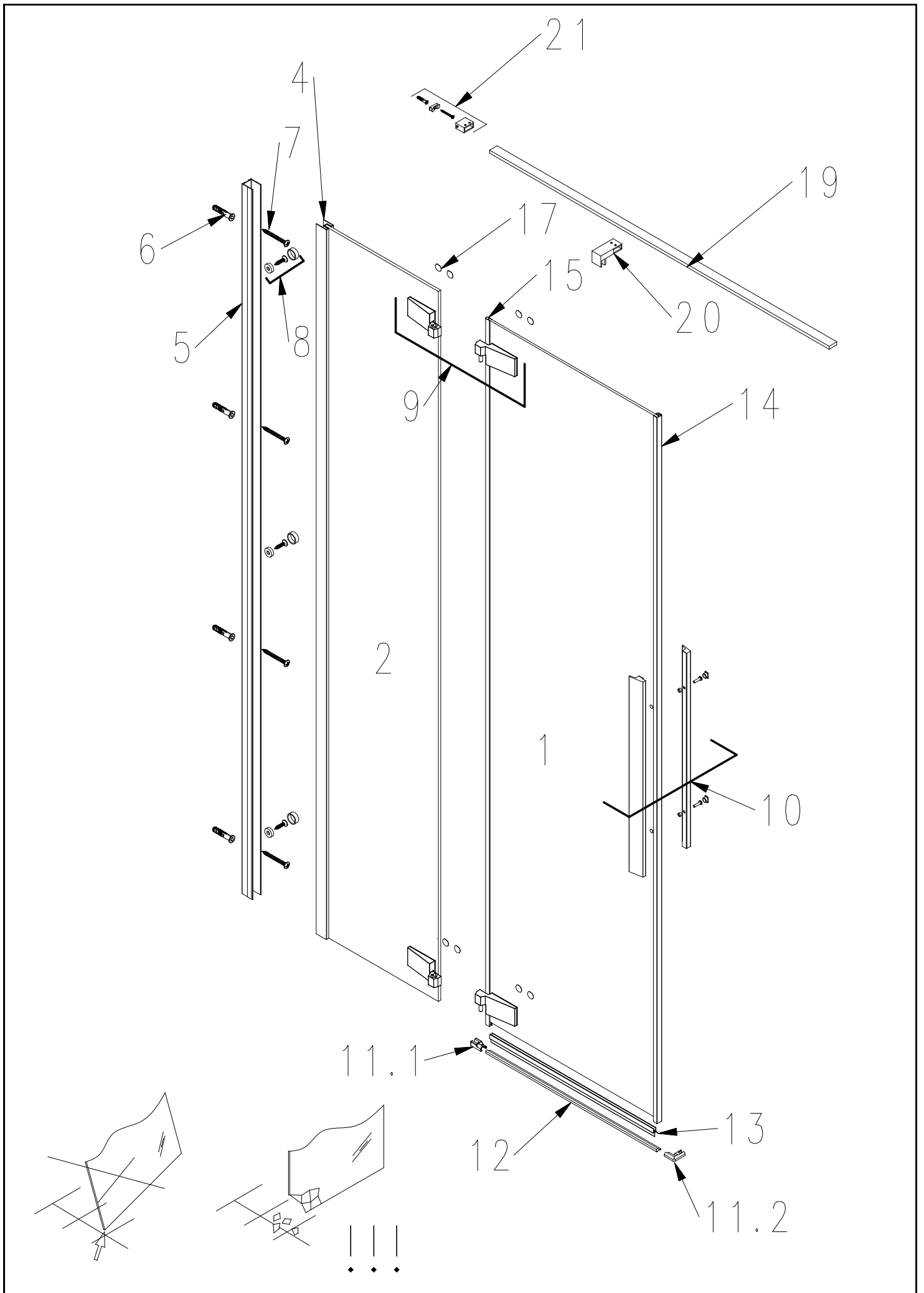


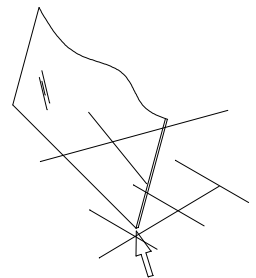
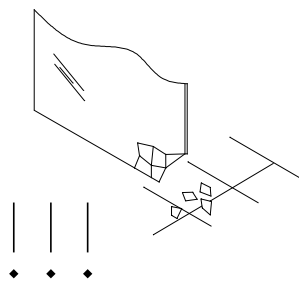
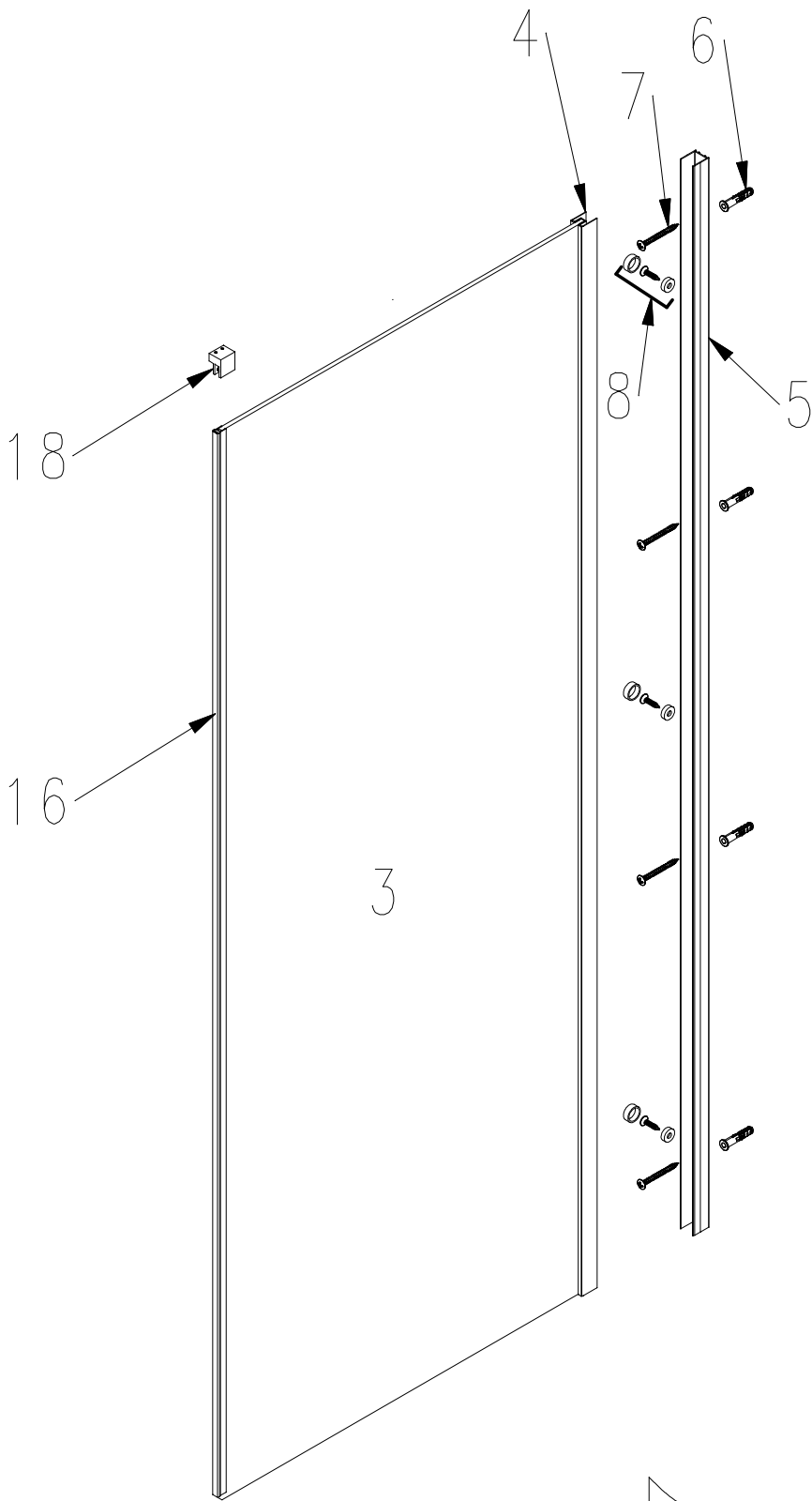
LEFT OPTION

RIGHT OPTION

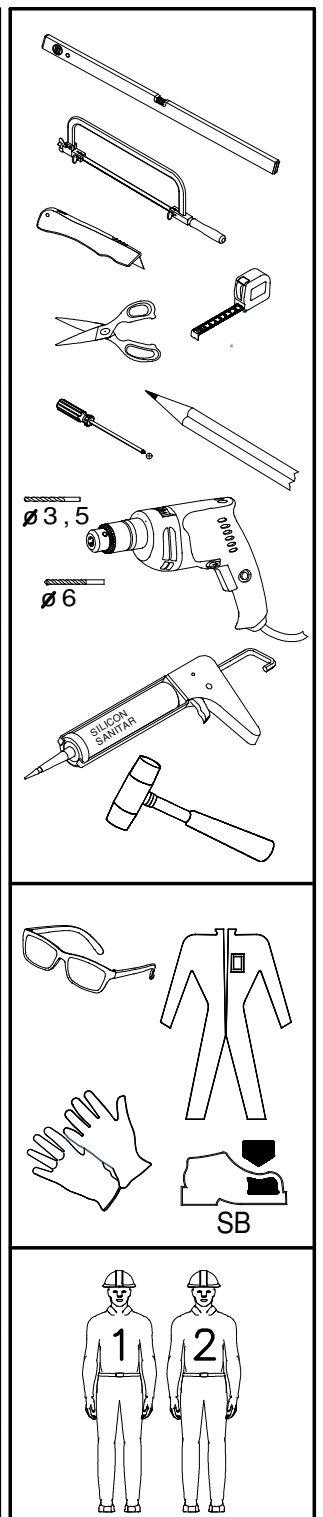


|       | L 1       | L 2     | X 1       | X 2     | ±    | E   |
|-------|-----------|---------|-----------|---------|------|-----|
| D 80  | 780-790   |         | 770-780   |         | 2000 | 450 |
| D 90  | 880-890   |         | 870-880   |         | 2000 | 510 |
| D 100 | 980-990   |         | 970-980   |         | 2000 | 610 |
| D 120 | 1180-1190 |         | 1170-1180 |         | 2000 | 610 |
| D 140 | 1380-1390 |         | 1370-1380 |         | 2000 | 610 |
| W 80  |           | 780-790 |           | 770-780 | 2000 |     |
| W 90  |           | 880-890 |           | 870-880 | 2000 |     |
| W 100 |           | 980-990 |           | 970-980 | 2000 |     |

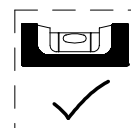
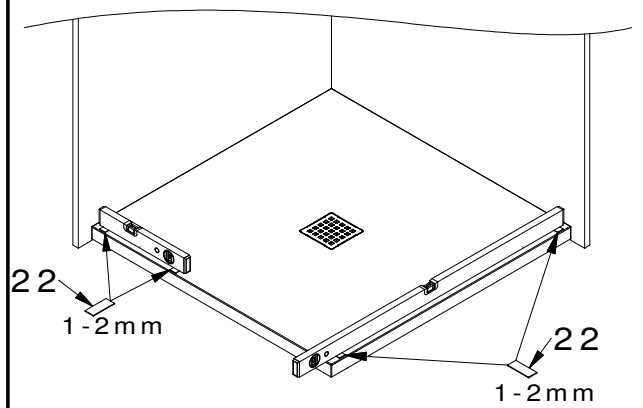
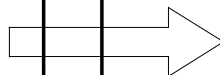
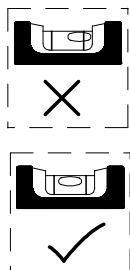
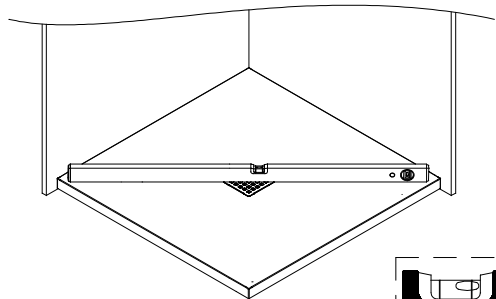
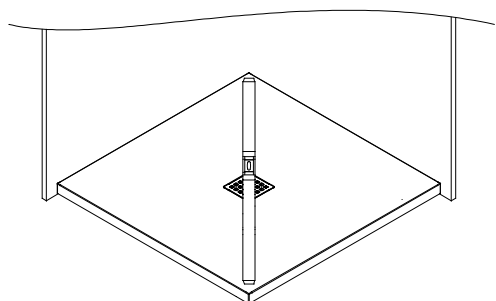
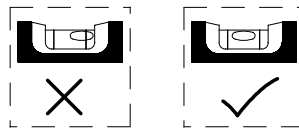
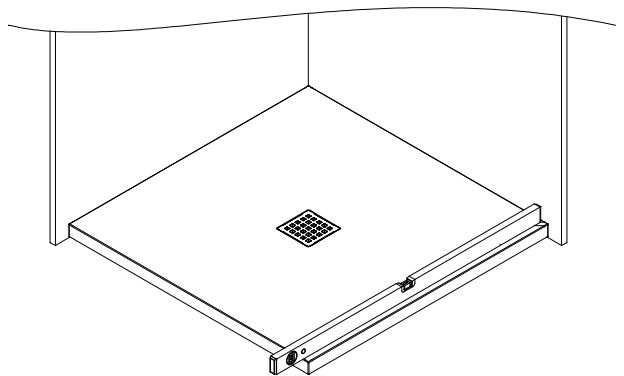
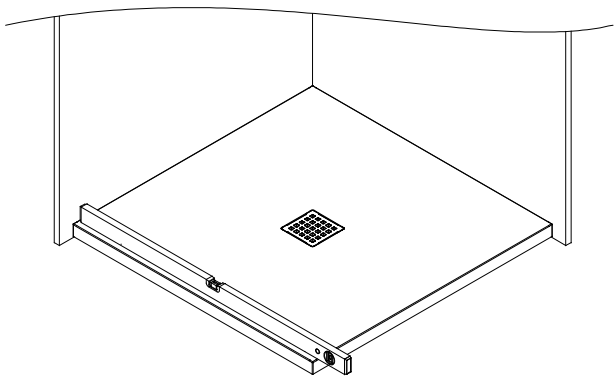


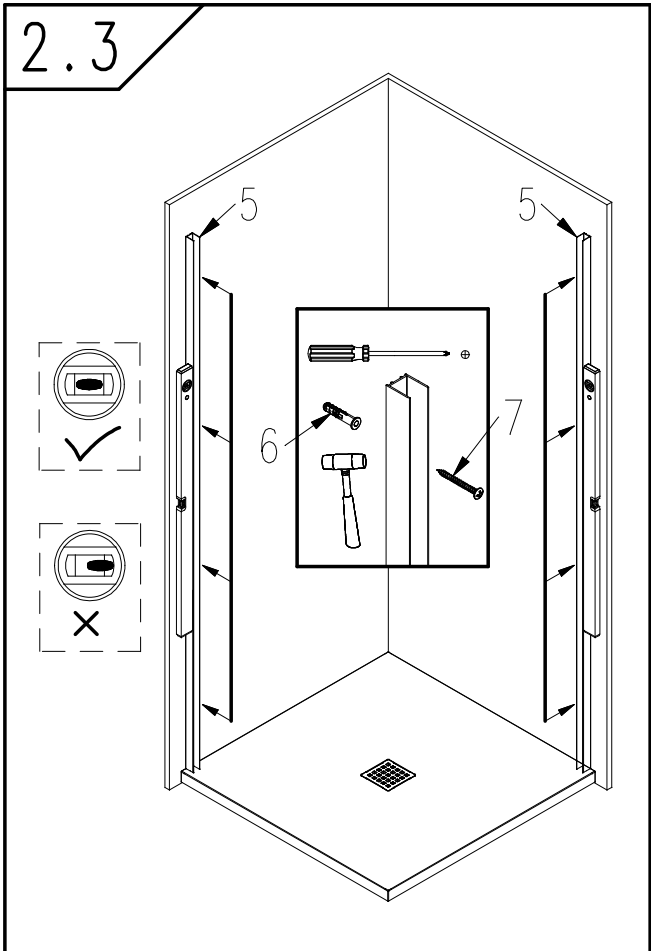
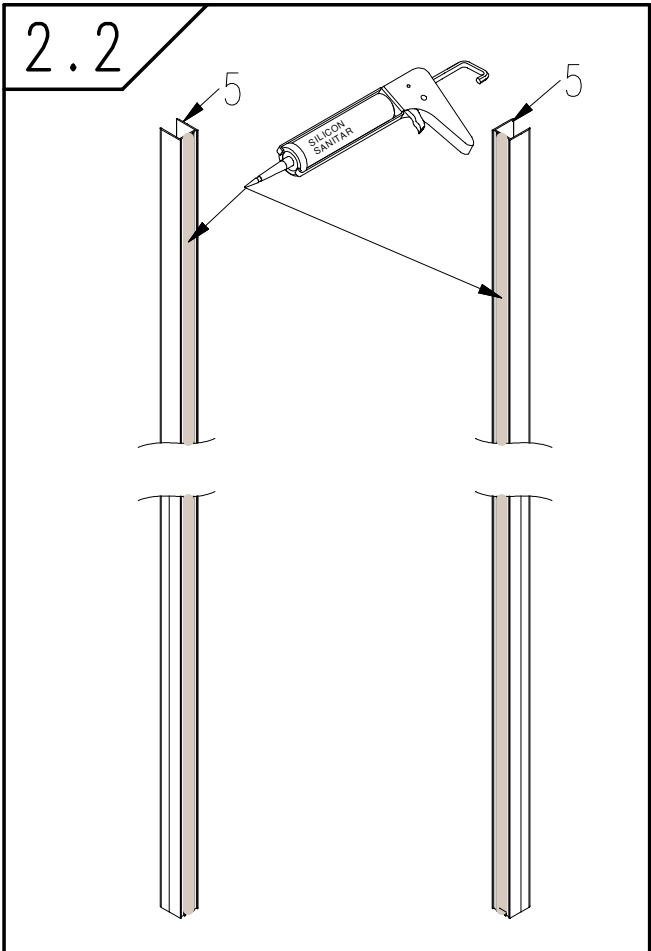
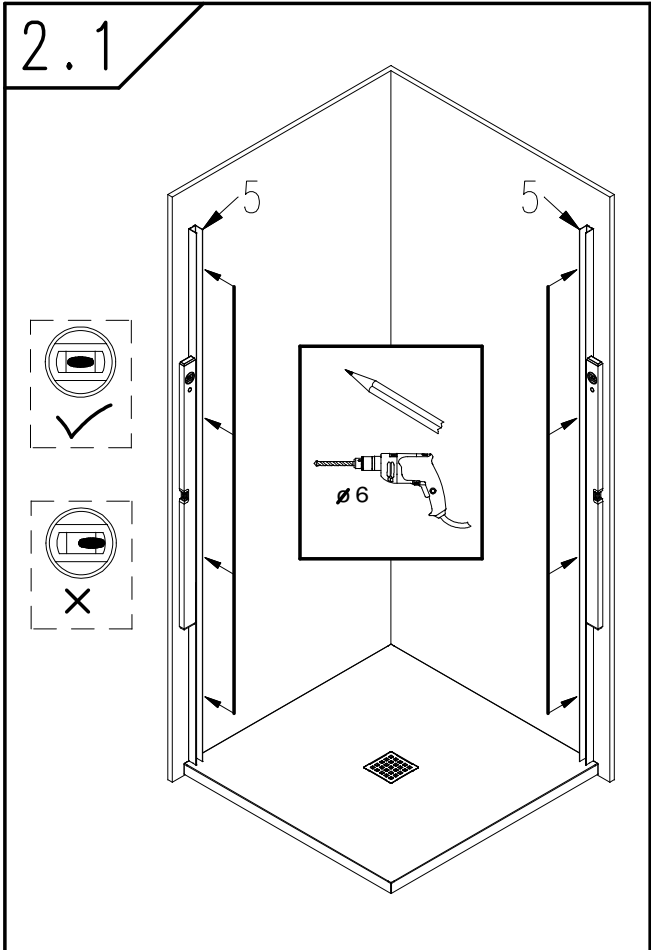
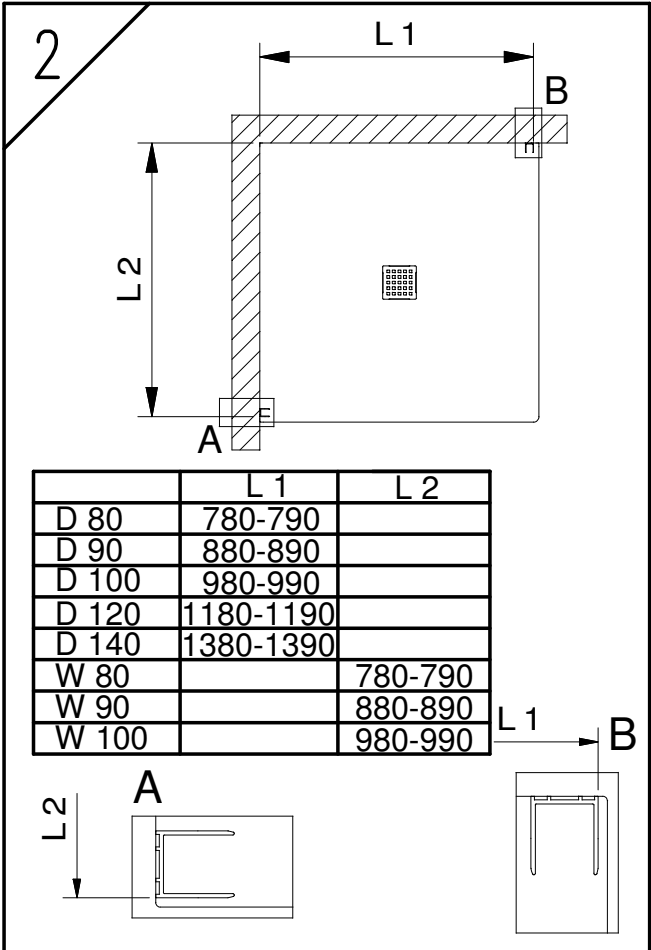


|                |             |             |
|----------------|-------------|-------------|
| 1.<br>2.<br>3. |             | 1<br>1<br>1 |
| 4.             |             | 2           |
| 5.             |             | 2           |
| 6.             | Ø6x35       | 8           |
| 7.             | Ø4x40       | 8           |
| 8.             | Ø3,9x13     | 6           |
| 9.             | SW 4        | 2           |
| 10.            | SW 3        | 2           |
| 11.1<br>11.2   | 11.1 11.2   | 1<br>1      |
| 12.            |             | 1           |
| 13.            |             | 1           |
| 14.            |             | 1           |
| 15.            |             | 1           |
| 16.            |             | 1           |
| 17.            |             | 8           |
| 18.            | SW 4 SW 2.5 | 1           |
| 19.            |             | 1           |
| 20.            | SW 4 SW 2.5 | 1           |
| 21.            | SW 2.5      | 1           |
| 22.            | 1 mm 2 mm   | 2+2         |

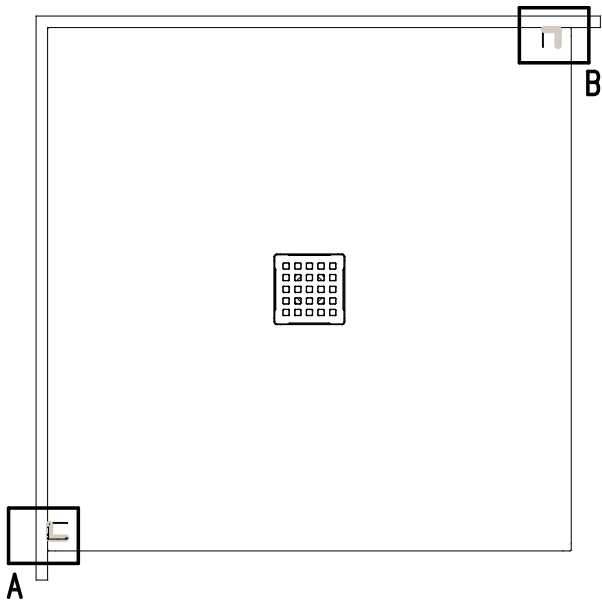


1

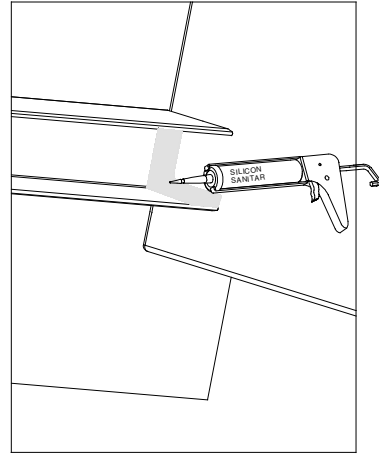




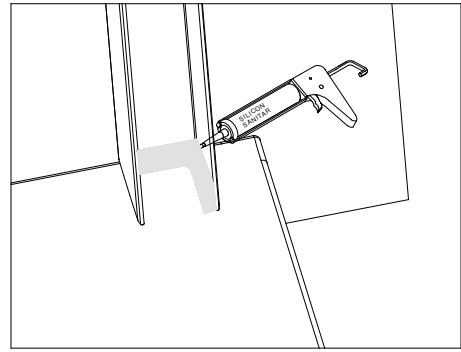
3



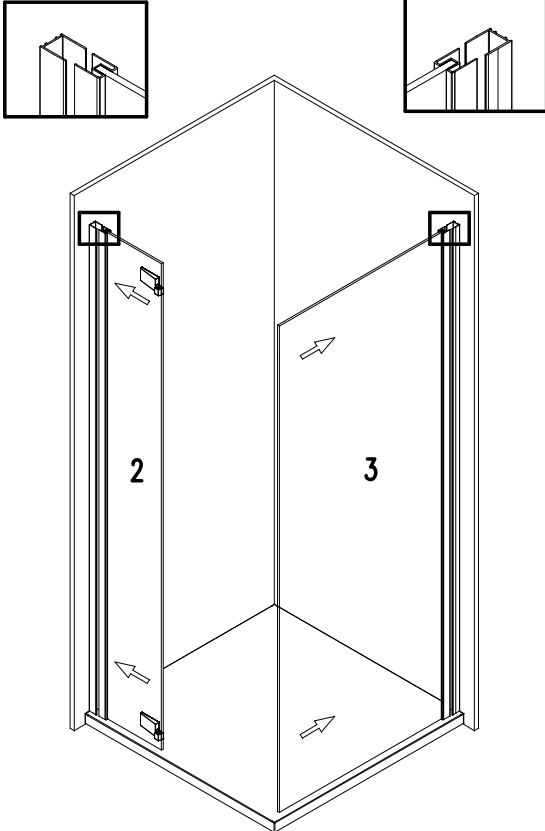
A



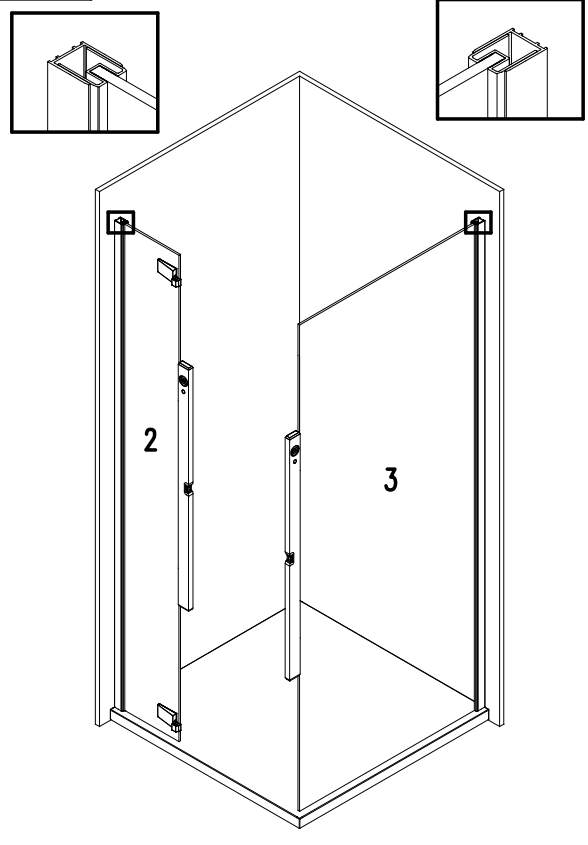
B

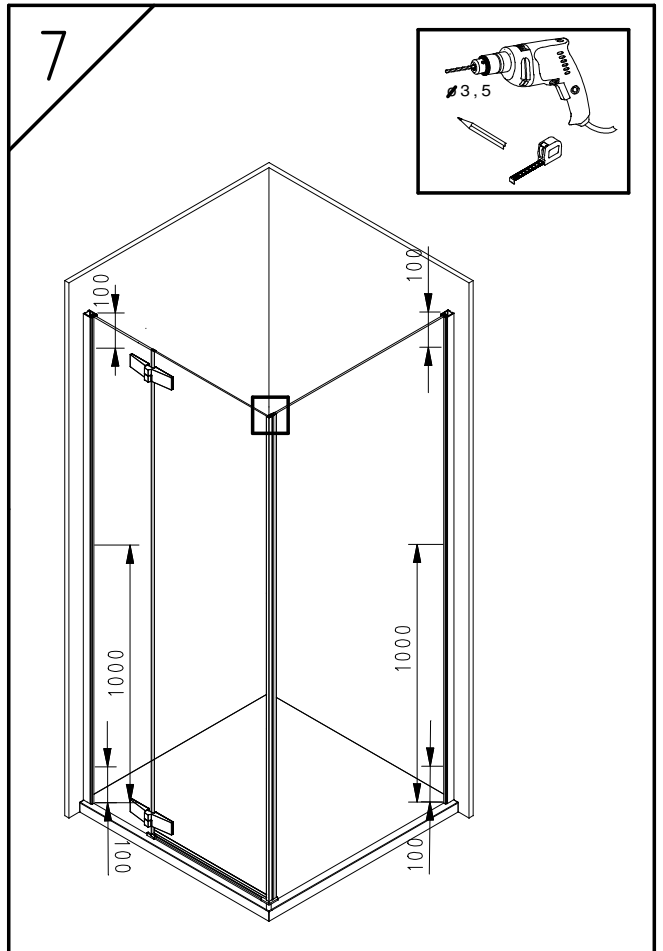
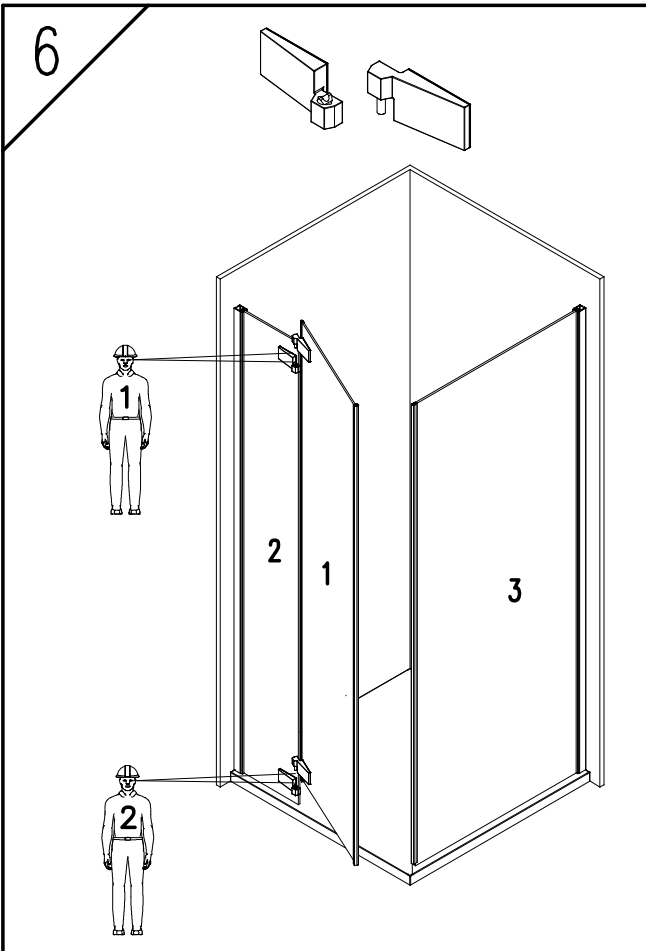
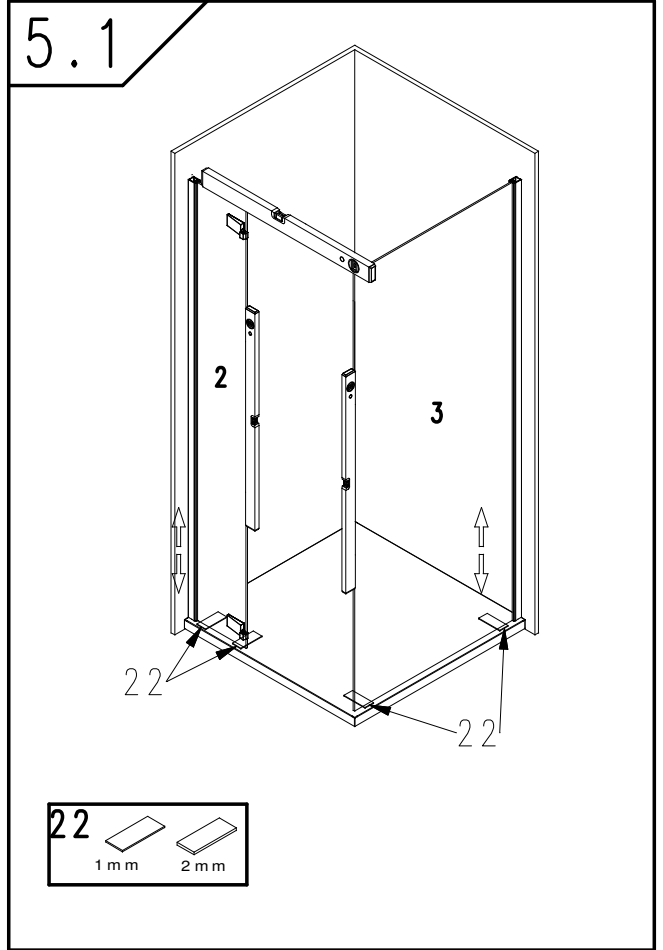
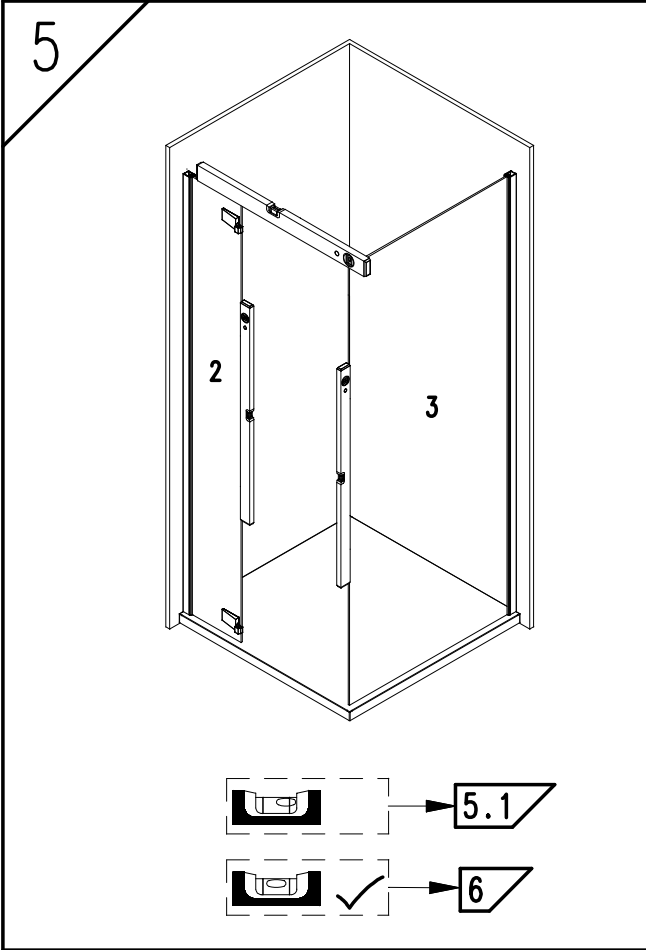


4.1

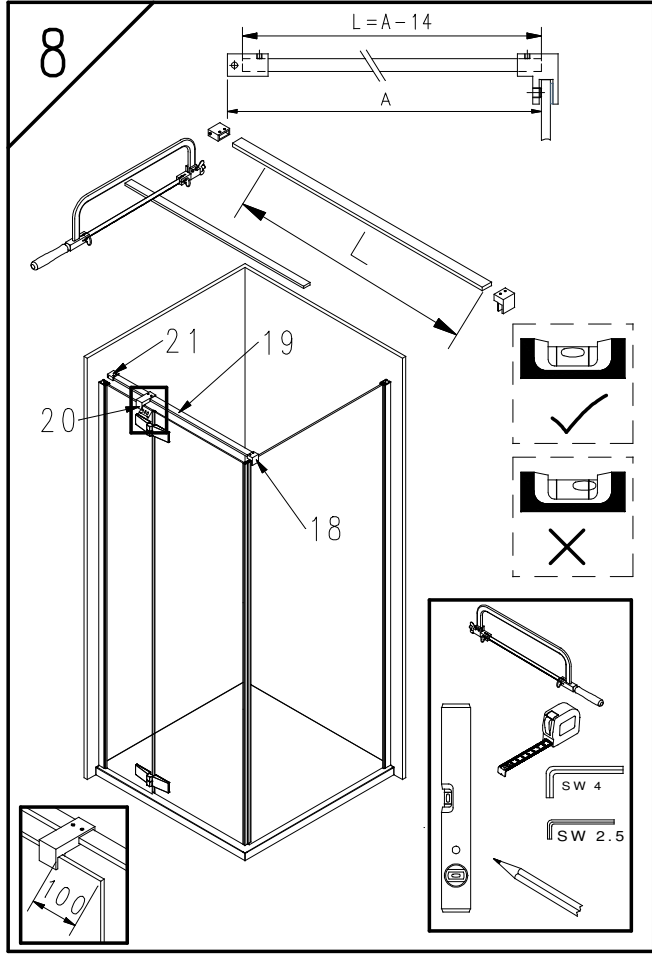
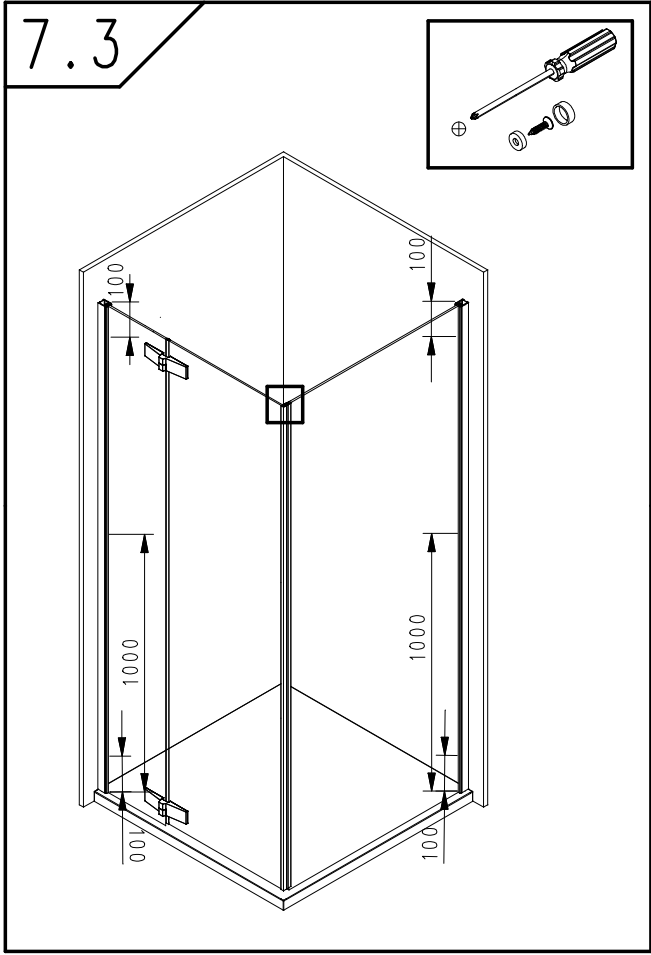
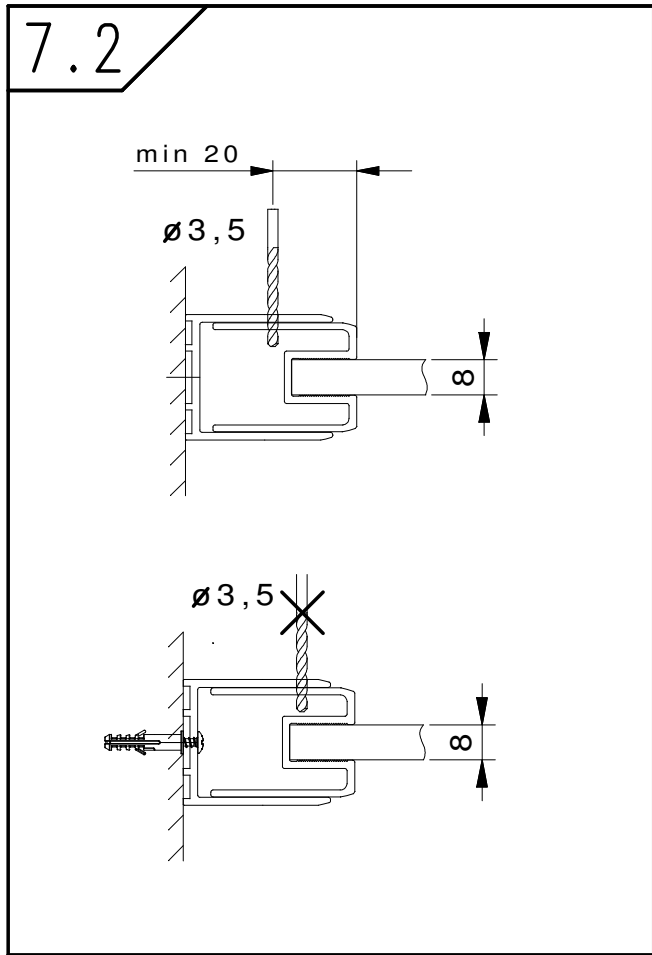
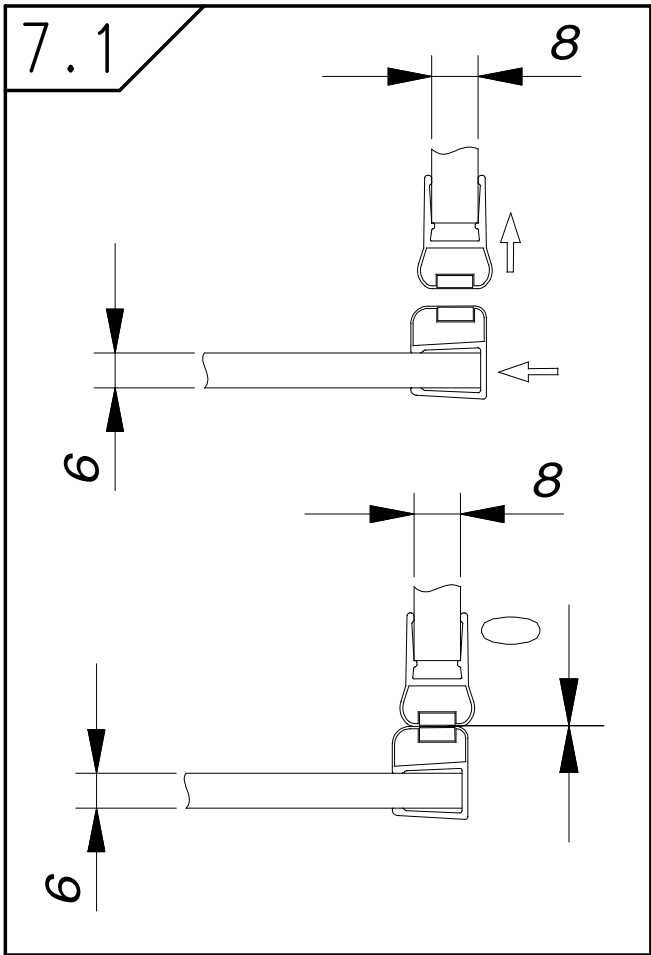


4.2

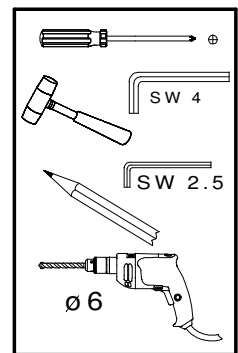
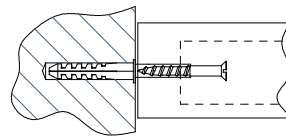
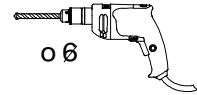
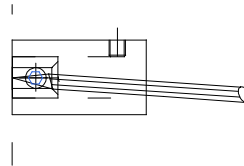
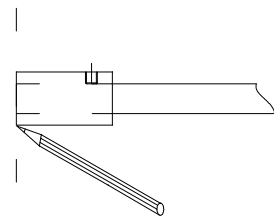
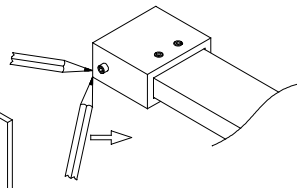
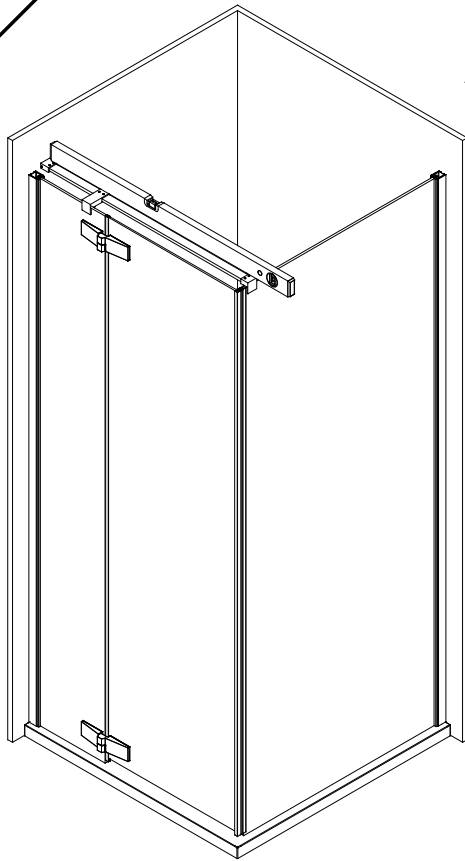




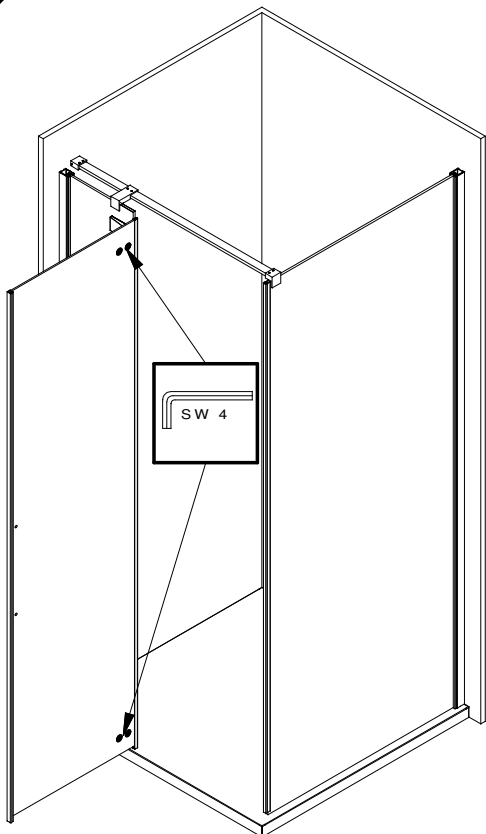




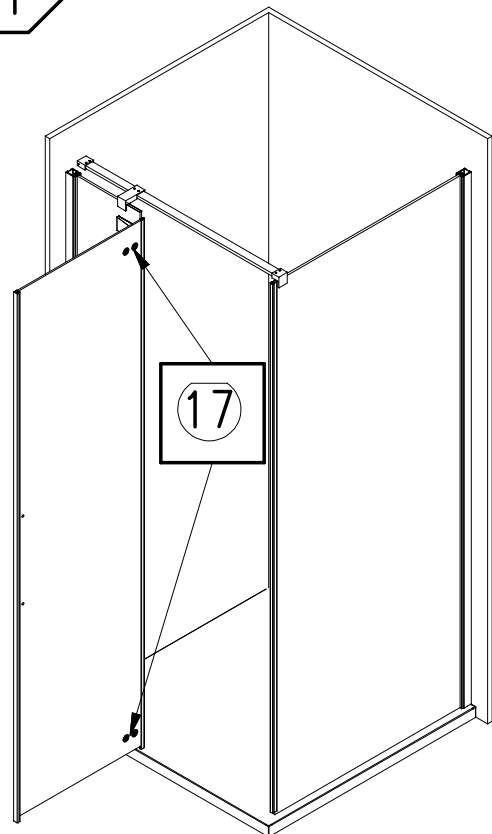
8.1

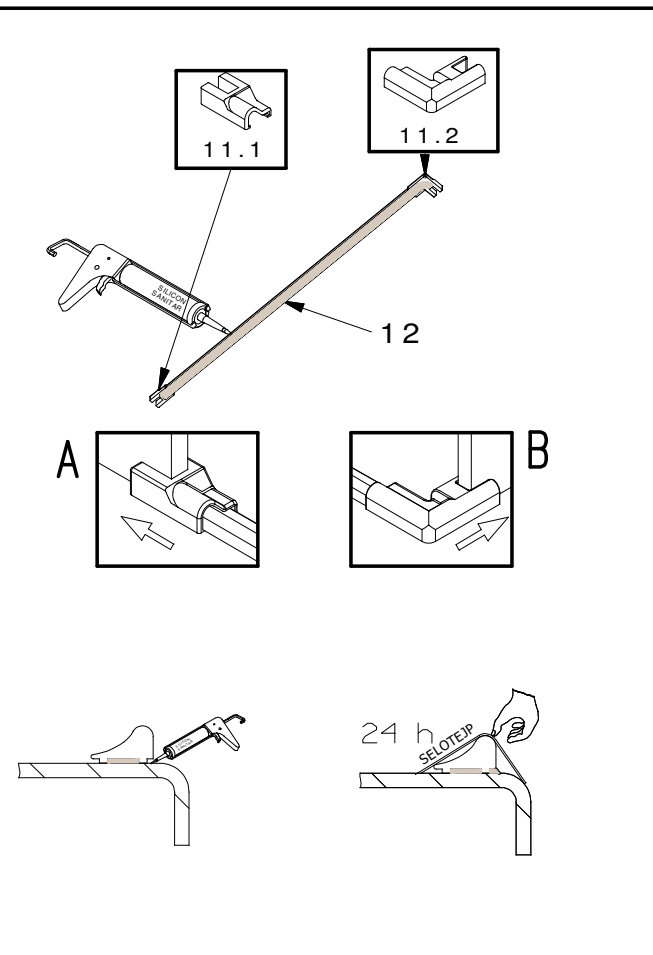
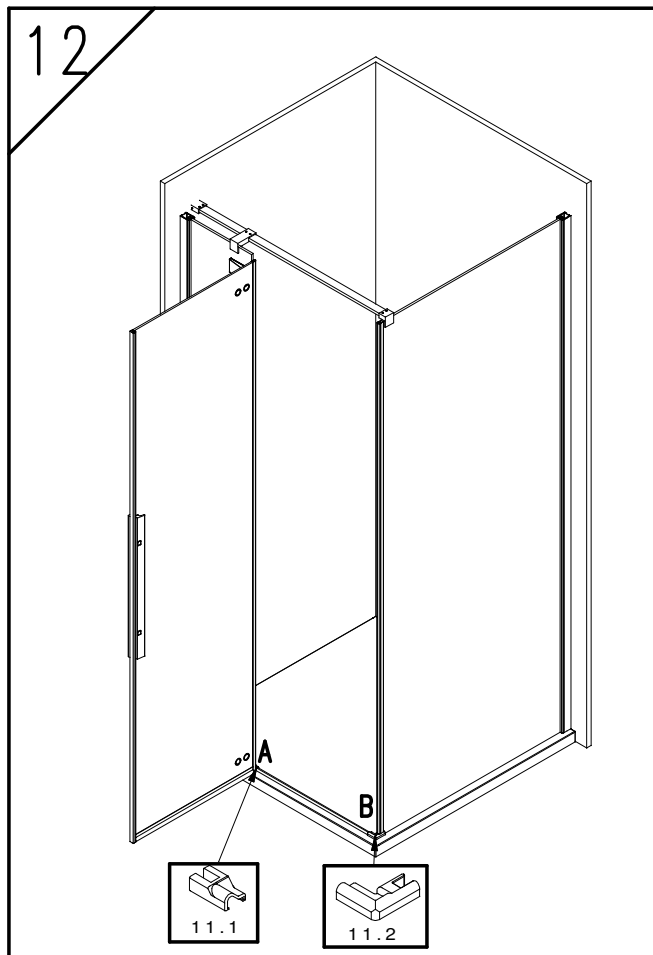
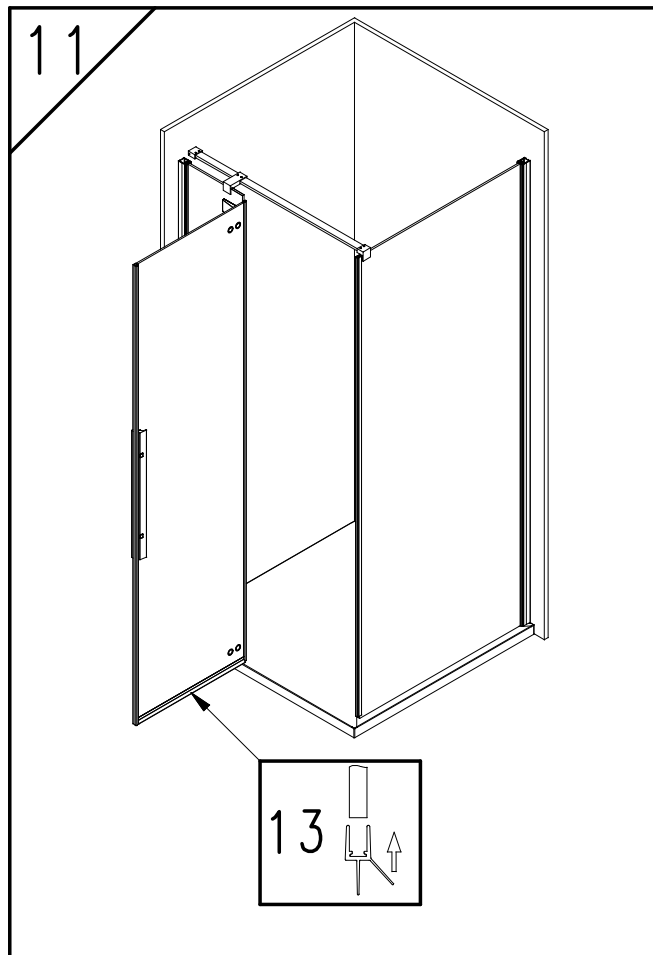
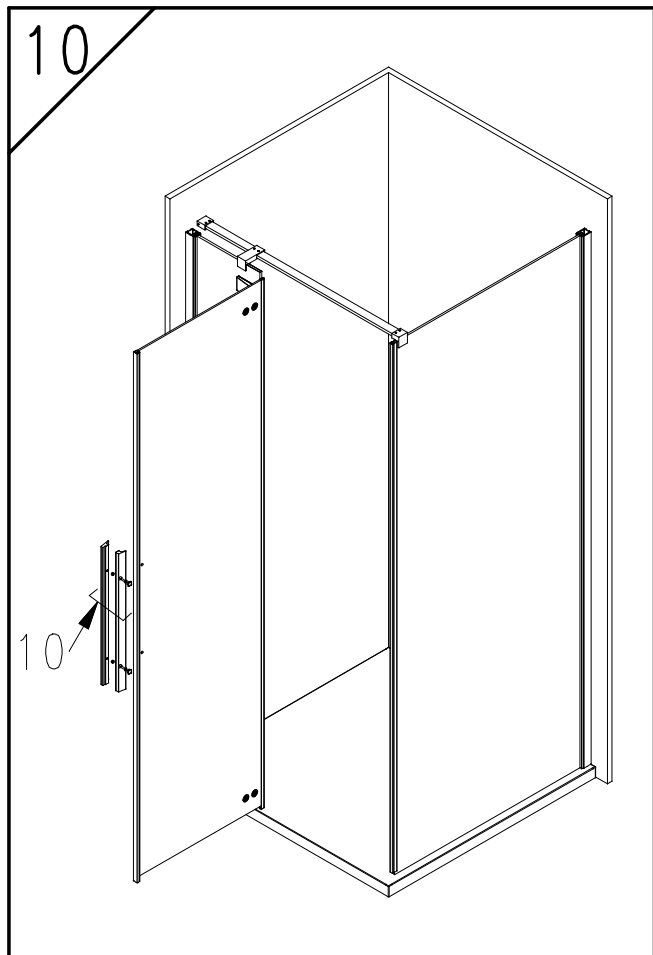


9



9.1





13

