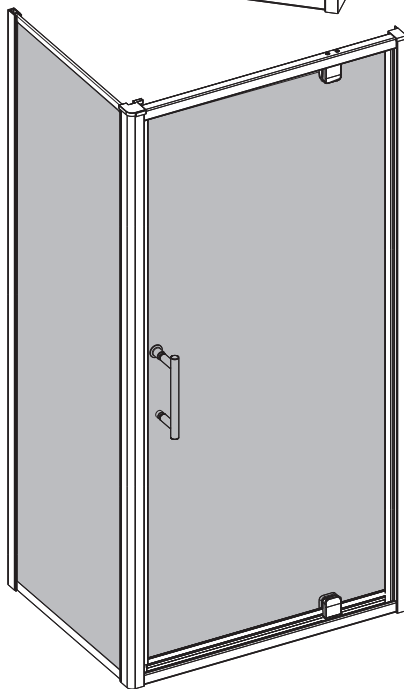
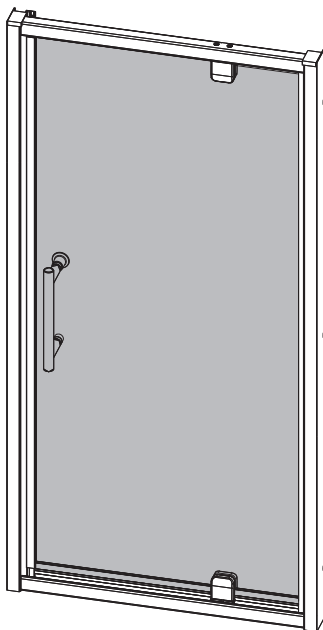
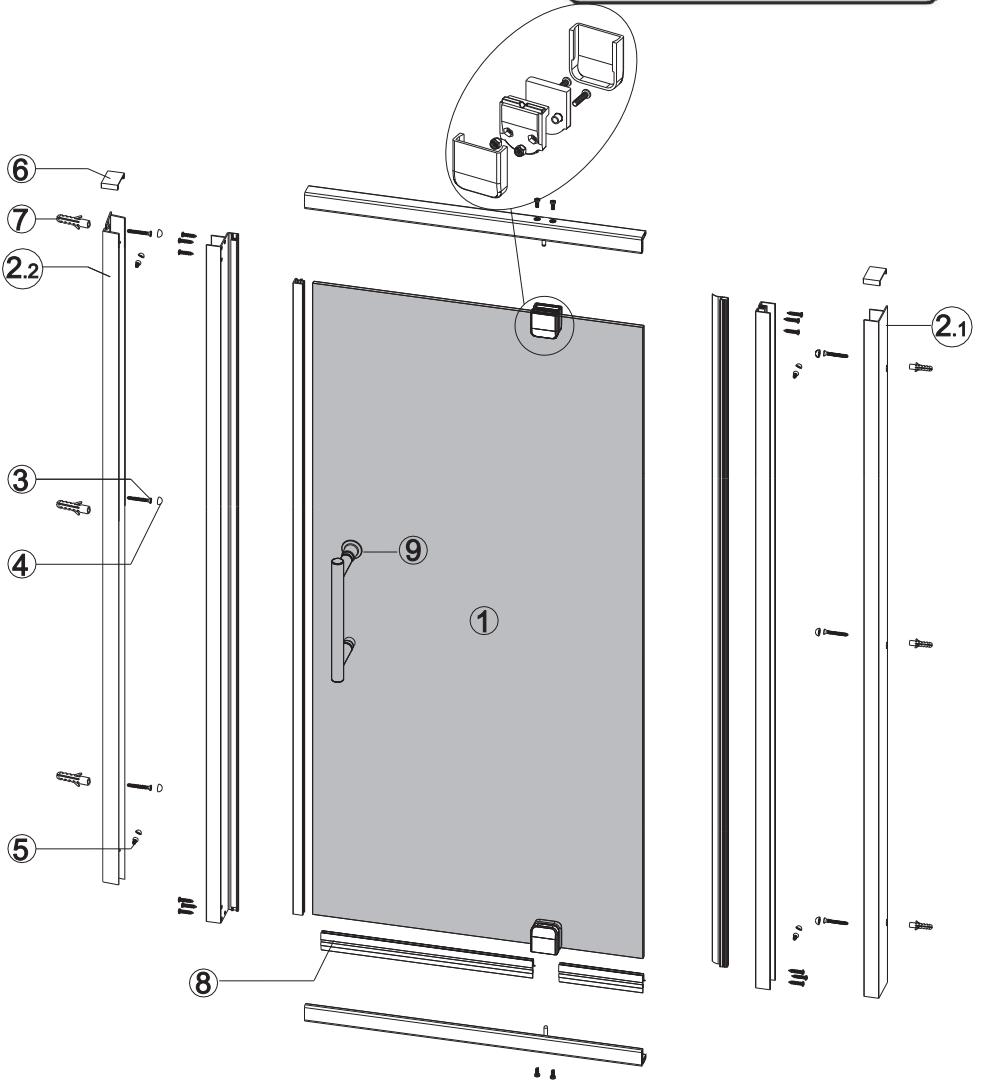
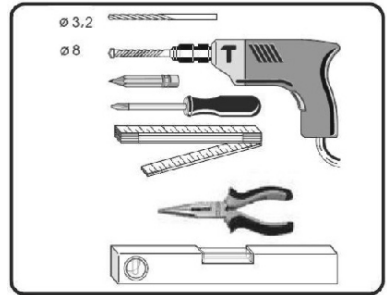
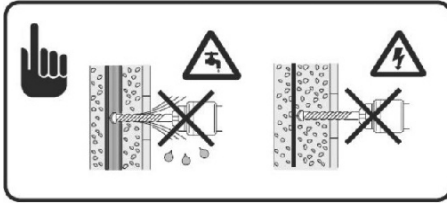
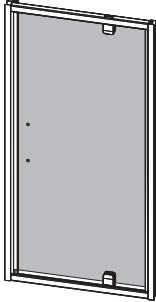

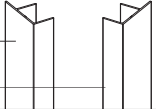
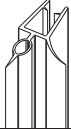
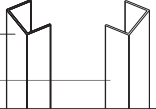
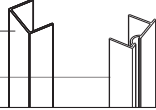
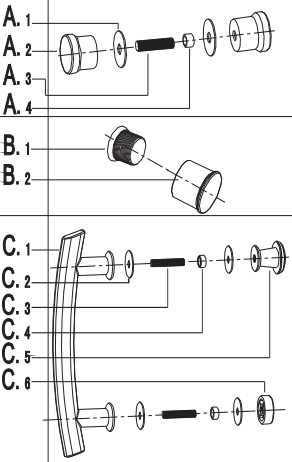
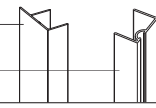








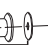
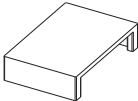

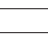
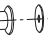








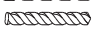


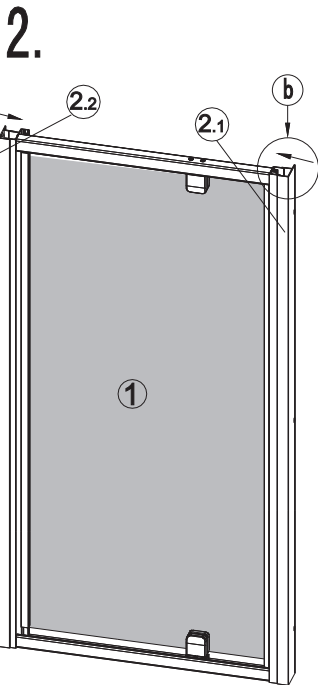
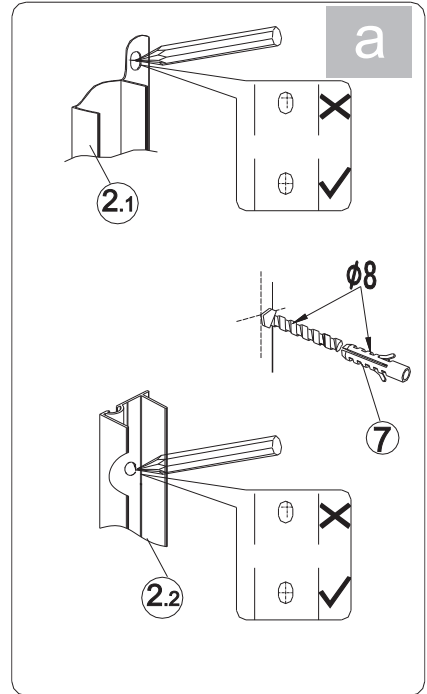
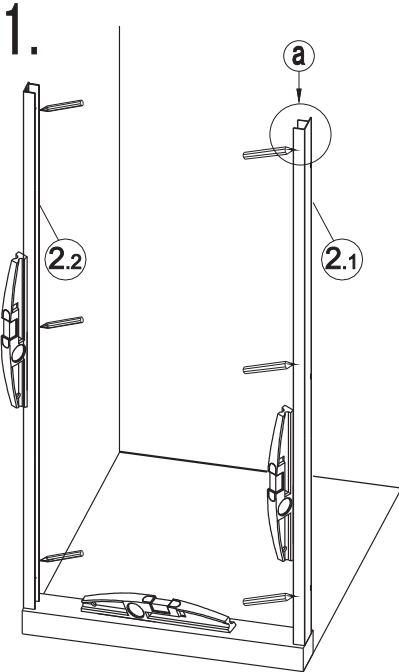
Инструкция по установке

**VN-59**

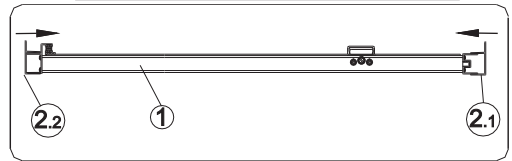




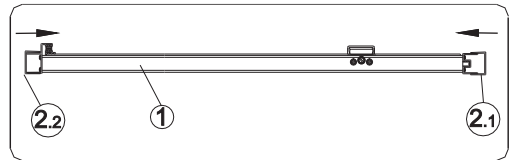
NO.	Designation	Pieces	NO.	Designation	Pieces
1		X1	7	 $\varnothing 8$	X7
2	E 	X1	8		X2
	F 	X1			
	G 	X1	9		X2 X2 X1 X1
	H 	X1			
		X1			
3	 ST4X35	X7	B.1 	X1	
	 ST4X35	X7	B.2 	X1	
4		X11/X5/X8	C.1 	X1	
5	 ST4X10	X5	C.2 	X4	
6		X2	C.3 	X2	
			C.4 	X2	
			C.5 	X1	
			C.6 	X1	
			D.1 	X2	
			D.2 	X2	
			D.3 	X1	
			D.4 	X4	
			D.5 	X2	
			D.6 	X1	
			<b>No handle</b>		
			 $\varnothing 8$  $\varnothing 3.2$		



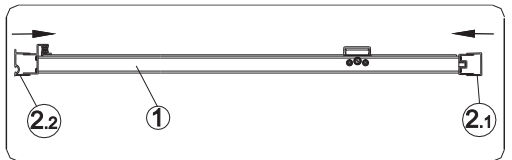
**b**  
(E)



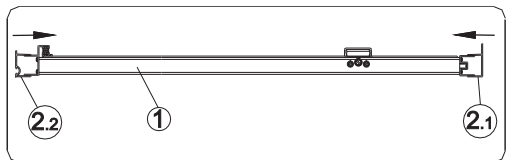
**b**  
(F)



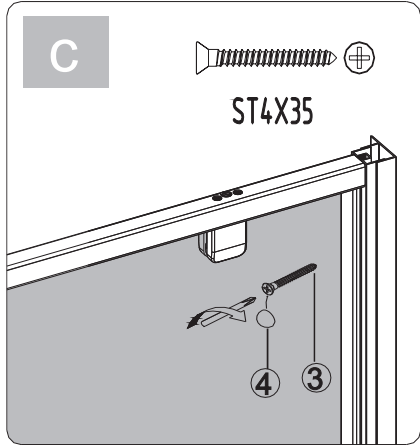
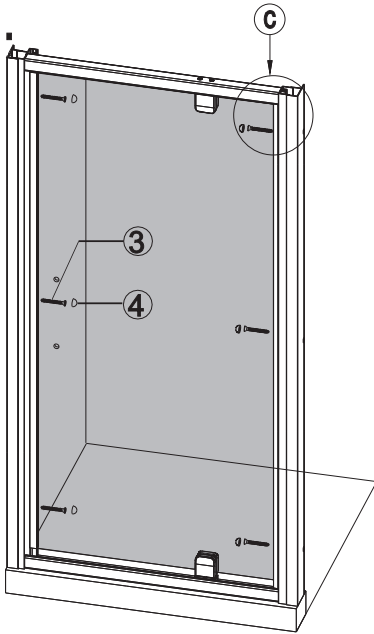
**b**  
(G)



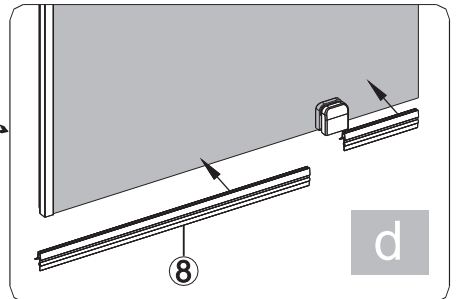
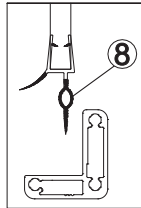
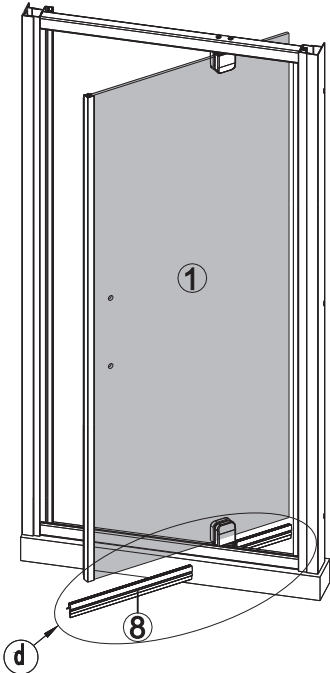
**b**  
(H)



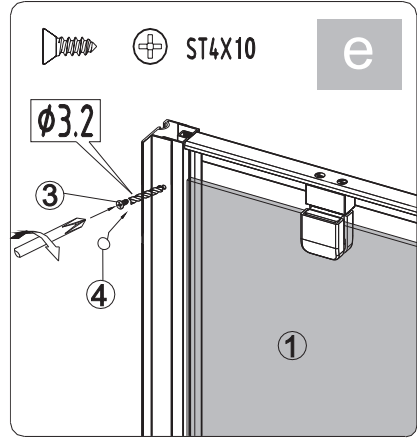
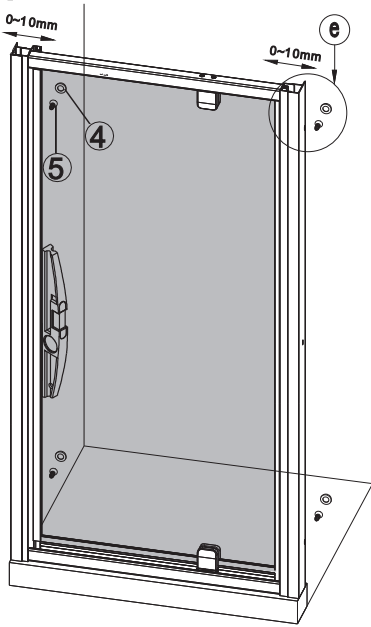
3.



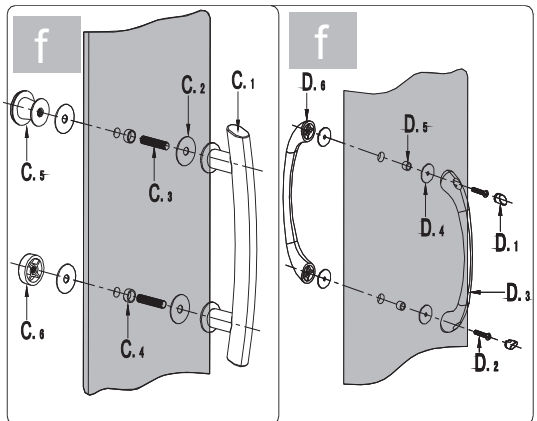
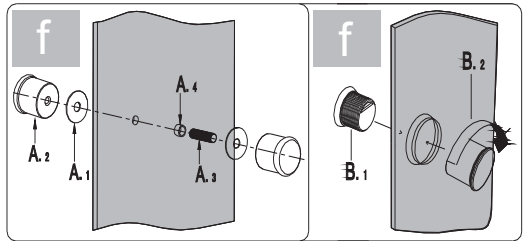
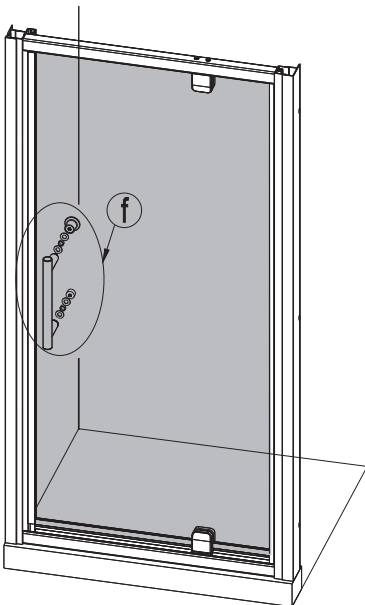
4.

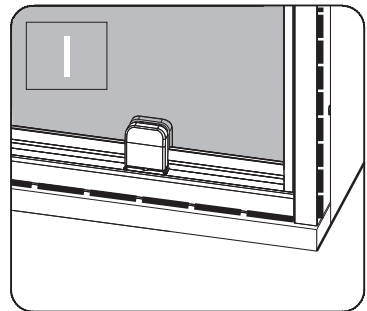
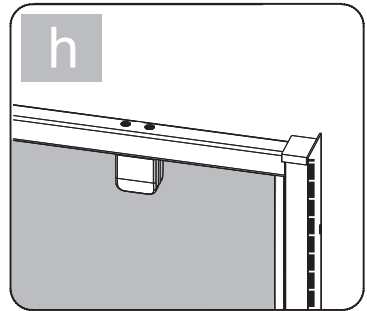
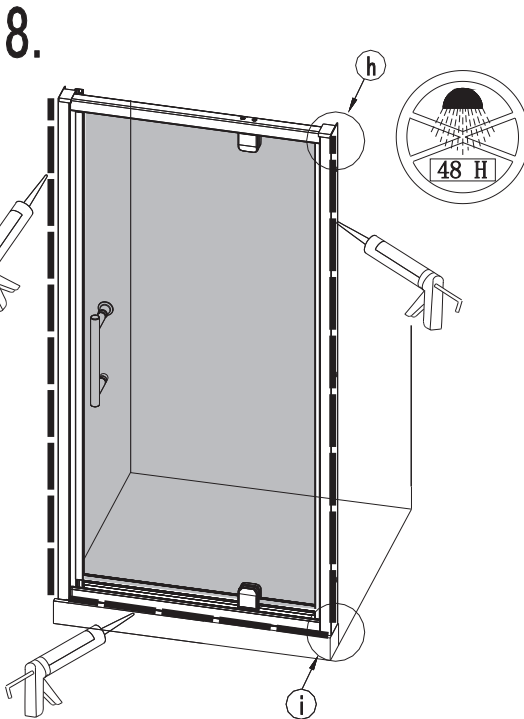
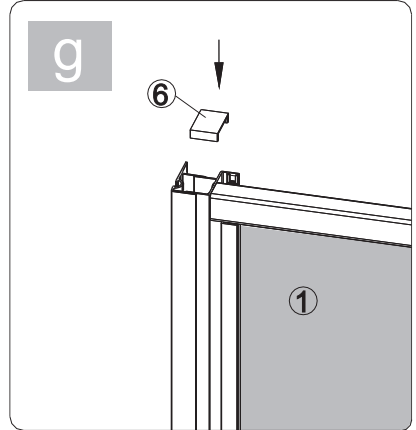
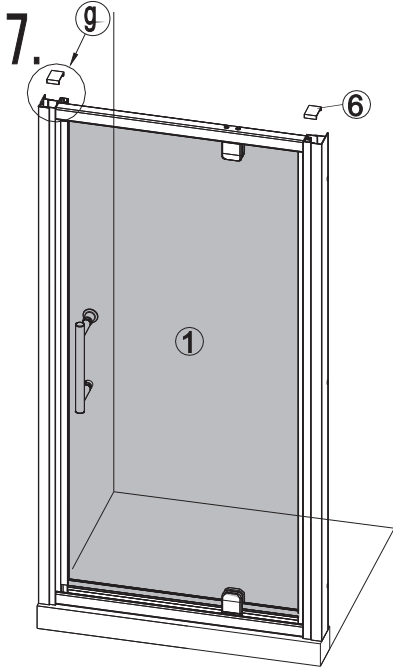


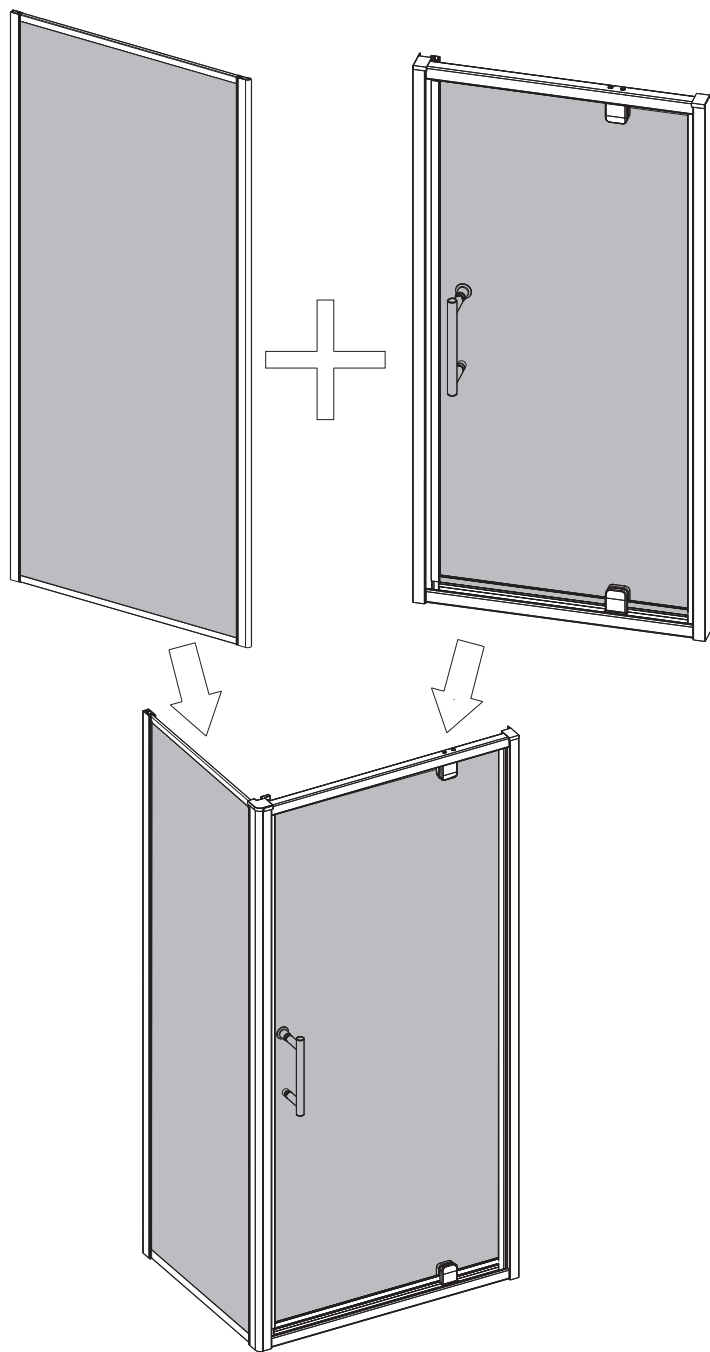
5.



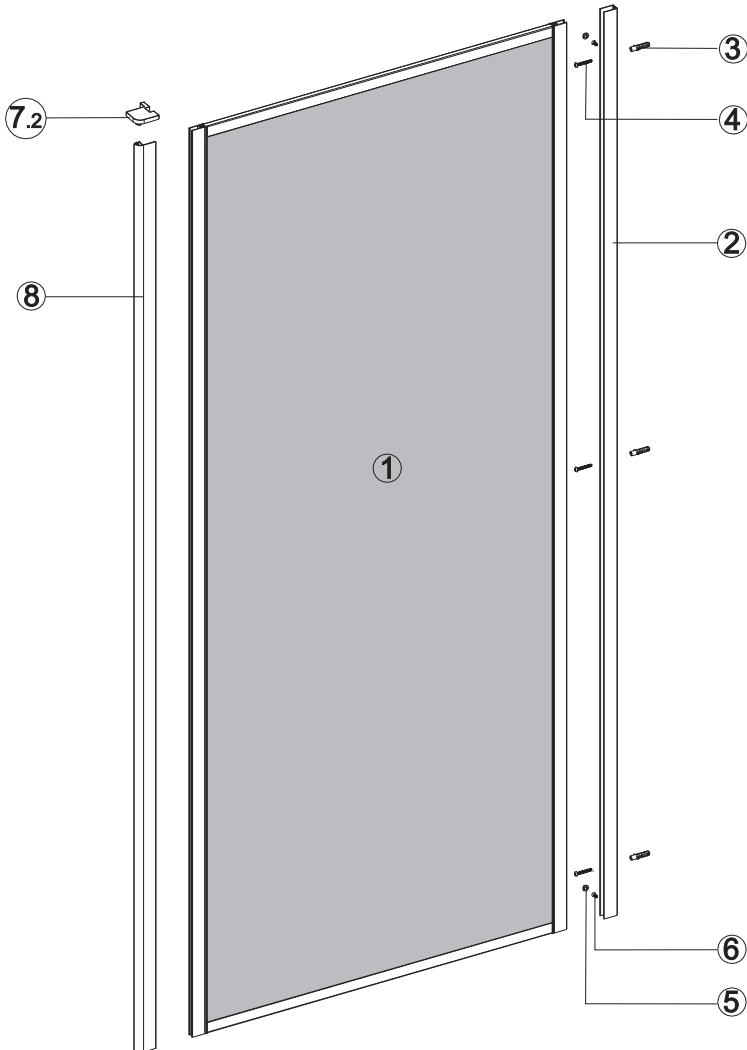
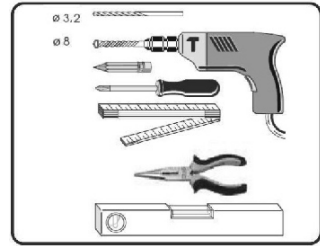
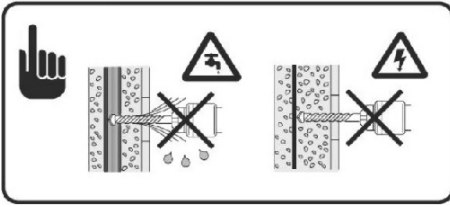
6.

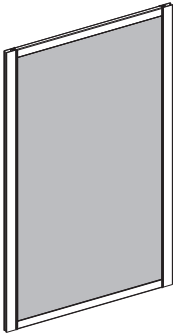
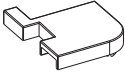

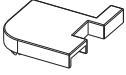

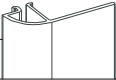
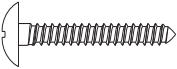
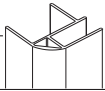

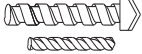
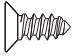




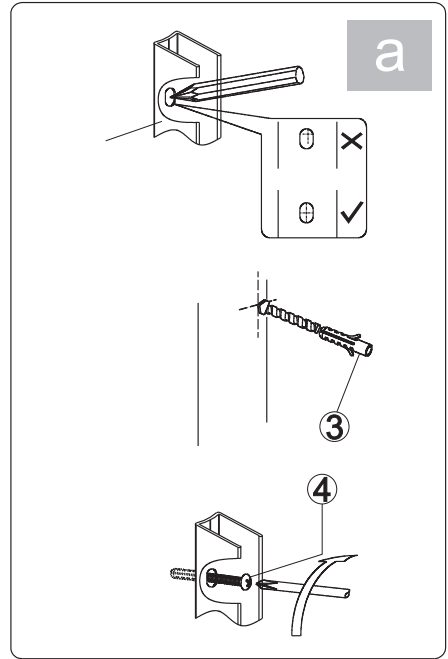
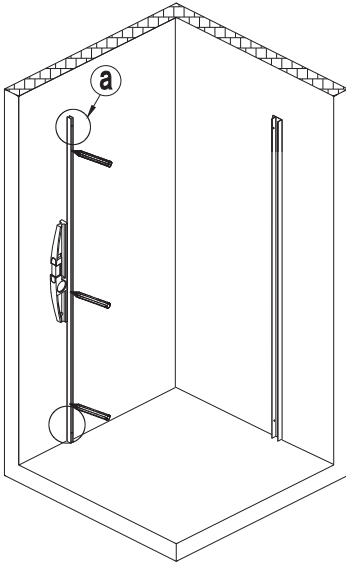




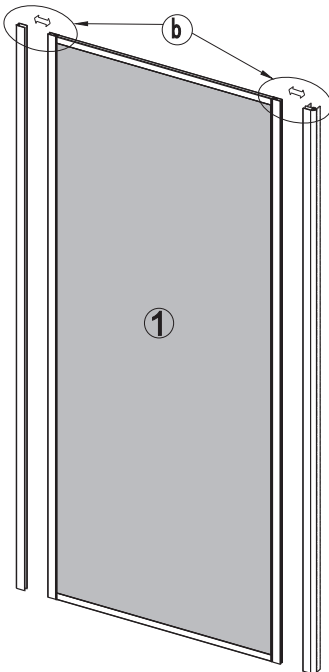


NO.	Designation	Pieces	NO.	Designation	Pieces
1		X1	7.1		X1
2		X1	7.2		X1
3	 $\phi 8$	X4	8	A 	X1
4	 $\phi 8$ ST4X35	X4		B 	X1
5		X5	 $\phi 8$ $\phi 3.2$		
6	 $\phi 8$ ST4X10	X5			

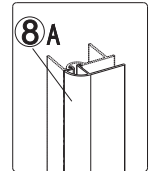
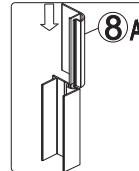
1.



2.



**b**  
**(8-A)**



**b**  
**(8-B)**

